

NOTE: Save these instructions as you may need them at a later date. For your safety, read and understand these instructions completely before starting installation. THIS PRODUCT MUST BE INSTALLED IN ACCORDANCE WITH THE APPLICABLE INSTALLATION CODE BY A PERSON FAMILIAR WITH THE CONSTRUCTION AND OPERATION OF THE PRODUCT AND THE HAZARDS INVOLVED.

CAUTION: RISK OF FIRE OR ELECTRIC SHOCK. DISCONNECT MAIN POWER AT FUSE OR CIRCUIT BREAKER BEFORE INSTALLING OR SERVICING THE FIXTURE.

- LED installation requires knowledge of luminaires electrical systems. If not qualified, do not attempt installation contact a qualified electrician.
- Before proceeding with installation, disconnect power to the luminaire. Failure to do so may result in electric shock and lead to injury or death.

Installation Instructions for 1" 120V or 120/277V Recessed Lighting:

Notice: ELCO's one inch LED fixtures are rated for direct insulation contact. For gimbal applications, it is advised for insulation set-back to prevent falling debris.

Step 1

Embr Lighting's one inch LED fixtures are adaptable to ¼" to 1" ceiling thicknesses. A 2" hole size is recommended for fixed 1" LED fixtures. A 2 ¾" hole size is recommended for the adjustable 1" LED fixture. (Figure 2)

Step 2

For wiring instructions, please refer to the instructions accompanying the driver.

Step 3

Insert the junction box into the ceiling.

Step 4

Connect the low voltage cable to the fixture. The arrows on the female and male cable should align before connecting. (Figure 3)

Step 5

Lift the two springs towards the terminal block and insert into the ceiling opening. (Figure 2)

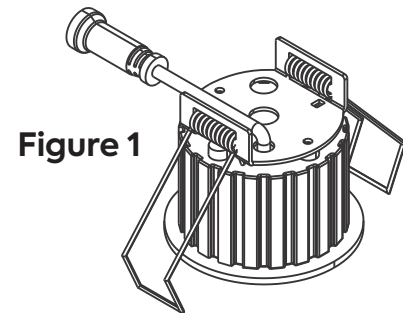


Figure 1

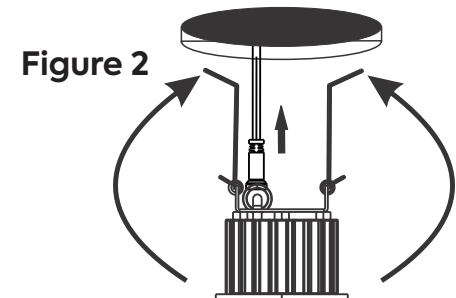


Figure 2

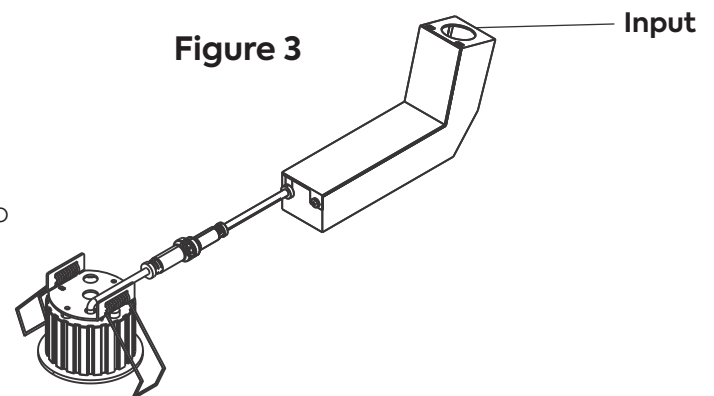


Figure 3

New Construction Installation:

Step 1

Extend hanger bars to fit between joists. Each hanger bar foot is contoured to align with the bottom of ceiling joists (Figure 6). Set frame into place by hammering in the nails at each foot (Figure 7).

Note: Frame can be relocated using the hammer claw which will allow easy repositioning on the fixture without damaging the hanger bar or nail (Figure 8).

Step 2

After the frame is set into place, tighten hanger bars using the locking screws mounted onto the frame. (indicated by the arrow in Figure 9).

Step 3

A precise hole is required for mounting this fixture. Cutting drywall along the inner diameter of the mounting frame will provide an accurate hole. After cutting the drywall hole, proceed from step 2 of the installation instructions.

