

1" ARCHITECTURAL RECESSED FIXTURES

1" 120V or 120/277V Downlights & Adjustables



FEATURES

- IC Airtight for direct contact with insulation
- Triac/ELV or 0-10V/Triac/ELV dimmable
- Works with compatible ceilings up to 1 ¼"
- Height allows for use in ceilings with under 2" depth. Ceiling thickness can be reduced from fixture depth
- Dim to warm option dims from 3000K to 18000K
- Remodel requires no frame. New construction frame available
- Wet location rated for indoor and outdoor use
- JA8-2022-E, UL Listed, and Energy Star Qualified
- Life Span 50,000 Hours L70

SPECIFICATIONS

WATTAGE:	8W
LUMENS:	950 lm
VOLTAGE:	120V or 120-277V
COLOR TEMP:	27K, 30K, 35K, 40K, Dim to Warm
DIMMING:	Triac/ELV or 0-10V/Triac/ELV
BEAM ANGLE:	28°, 38°, 60°
CRI:	93+

HOUSING PRODUCT NUMBER BUILDER | 1. Specify housing part number

ITEM	CUTOUT	LUMENS	SPECIFICATION	VOLTAGE/DIMMING
MRHA	<input type="text"/>	<input type="text"/>	<input type="text"/>	<input type="text"/>
MRHA	1 DOWNLIGHT 2 ADJUSTABLE 3TL TRIMLESS RMD REMODEL POWER PACK	08 950 lm (8W)	IC IC RATED R60ICA R60 INSULATION ¹ ¹ Not available for remodel	(blank) 120V Input/Triac/ELV DX 120/277V Input/0-10V/Triac/ELV

FIXTURE PRODUCT NUMBER BUILDER | 2. Specify fixture part number

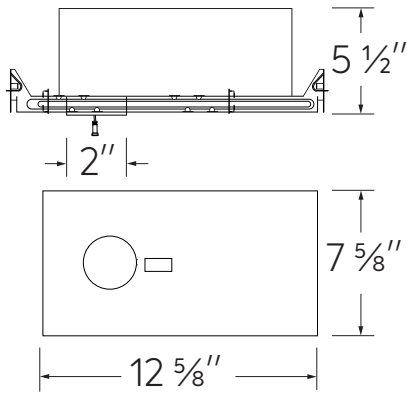
ITEM	SHAPE	BEAM ANGLE	COLOR TEMP.	COLOR FINISH
MR1A	<input type="text"/>	<input type="text"/>	<input type="text"/>	<input type="text"/>
MR1A	02 ROUND 12 SQUARE 32 ROUND ADJUSTABLE ¹ 22 SQUARE PULL DOWN ¹ 61 ROUND TRIMLESS ^{1,2} ¹ Available in W & BB finishes only ² Trimless Spackle Frame required	F 38° NF 28° WF 50°	27 2700K 30 3000K 35 3500K ³ 40 4000K ³ D31 DIM TO WARM ³ ³ Only in round, square & Trimless fixed. Not available in adjustable	W ALL WHITE BB ALL BLACK BZ ALL BRONZE B BLACK WITH WHITE TRIM H HAZE WITH WHITE TRIM

ACCESSORIES
Round Spackle Frame
ELO1SFR 1 INCH

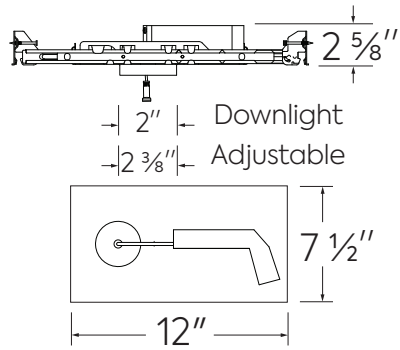
FRAMES for use with Remodel Power Pack			
Single Frames	New Construction Multiple Frame		
E1LF1 FOR DOWNLIGHTS E1LF2 FOR ADJUSTABLE FIXTURES E2LF1 FOR TRIMLESS DOWNLIGHTS	E1LF1-M2 2 SETS FOR DOWNLIGHT E1LF1-M3 3 SETS FOR DOWNLIGHT E1LF1-M4 4 SETS FOR DOWNLIGHT E1LF1-M5 5 SETS FOR DOWNLIGHT	E1LF2-M2 2 SETS FOR ADJUSTABLE FIXTURES E1LF2-M3 3 SETS FOR ADJUSTABLE FIXTURES E1LF2-M4 4 SETS FOR ADJUSTABLE FIXTURES E1LF2-M5 5 SETS FOR ADJUSTABLE FIXTURES	E2LF1-M2 2 SETS FOR TRIMLESS DOWNLIGHTS E2LF1-M3 3 SETS FOR TRIMLESS DOWNLIGHTS E2LF1-M4 4 SETS FOR TRIMLESS DOWNLIGHTS E2LF1-M5 5 SETS FOR TRIMLESS DOWNLIGHTS

HOUSINGS

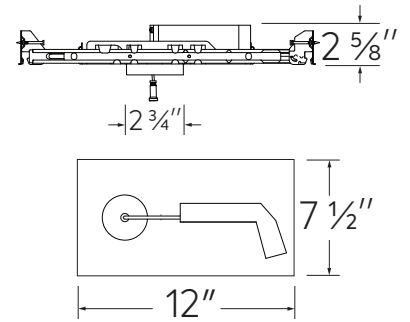
1" R60 HOUSING



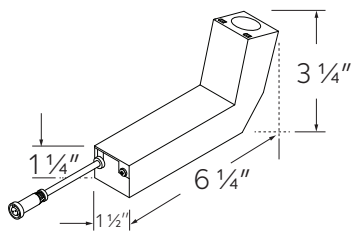
1" FRAME



1" TRIMLESS



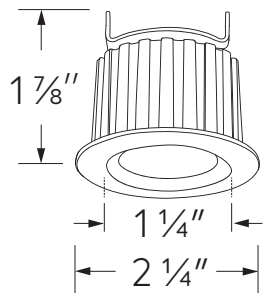
1" REMODEL POWER PACK



FIXTURES

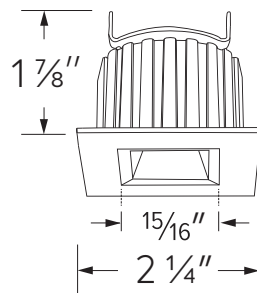
1" ROUND

MR1A02



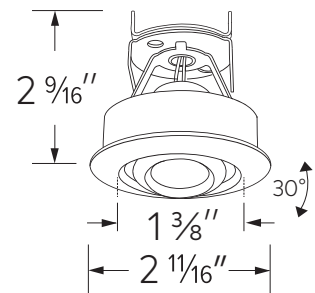
1" SQUARE

MR1A12



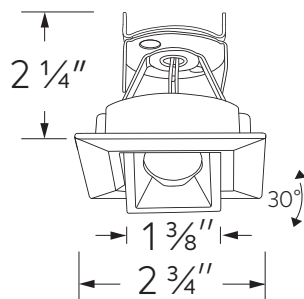
1" ROUND ADJUSTABLE

MR1A32



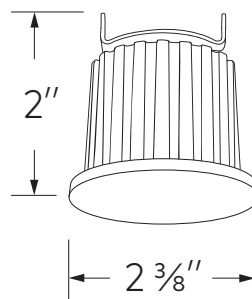
1" SQUARE PULL DOWN

MR1A22



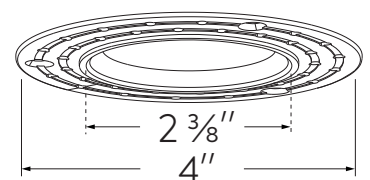
1" ROUND TRIMLESS

MR1A61



1" ROUND SPACKLE FRAME

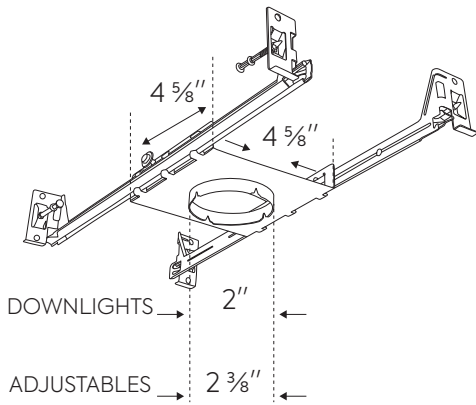
EL01SFR



FRAMES FOR MULTIPLE FIXTURES

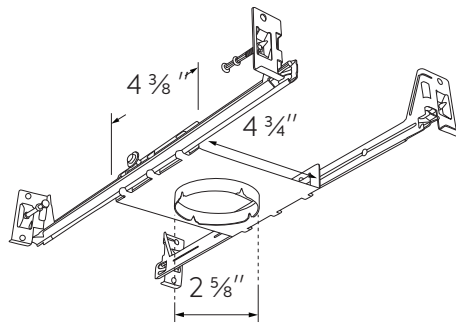
1" SINGLE FRAME

E1LF1, E1LF2



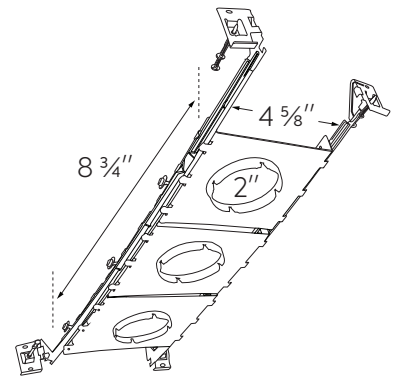
1" SINGLE FRAME TRIMLESS

E2LF1



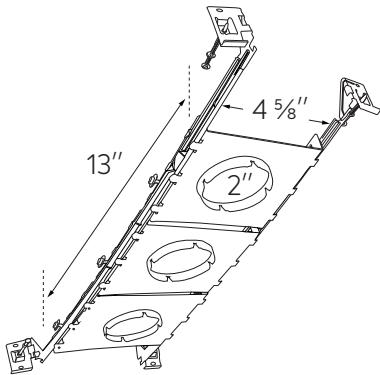
1" DOWNLIGHTS MULTIPLE FRAME - 2 SETS

E1LF1-M2



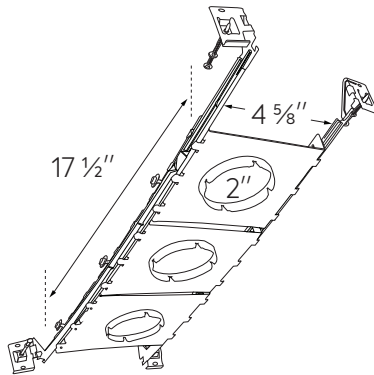
1" DOWNLIGHTS MULTIPLE FRAME - 3 SETS

E1LF1-M3



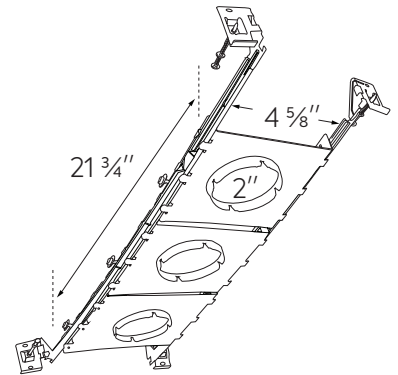
1" DOWNLIGHTS MULTIPLE FRAME - 4 SETS

E1LF1-M4



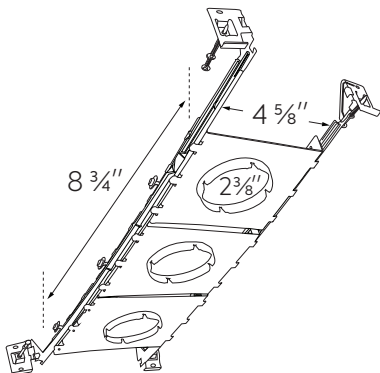
1" DOWNLIGHTS MULTIPLE FRAME - 5 SETS

E1LF1-M5



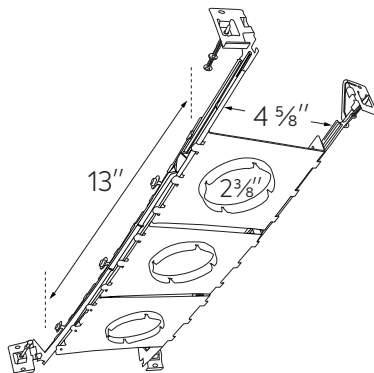
1" ADJUSTABLES MULTIPLE FRAME - 2 SETS

E1LF2-M2



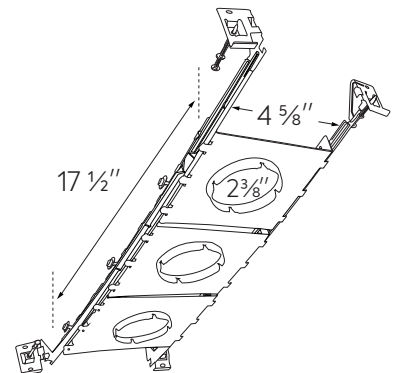
1" ADJUSTABLES MULTIPLE FRAME - 3 SETS

E1LF2-M3



1" ADJUSTABLES MULTIPLE FRAME - 4 SETS

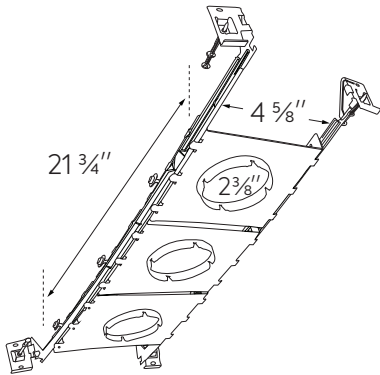
E1LF2-M4



FRAMES FOR MULTIPLE FRAMES

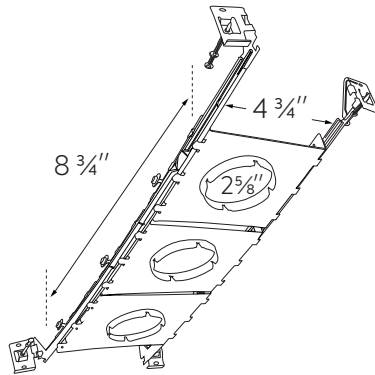
1" ADJUSTABLES MULTIPLE FRAME - 5 SETS

E1LF2-M5



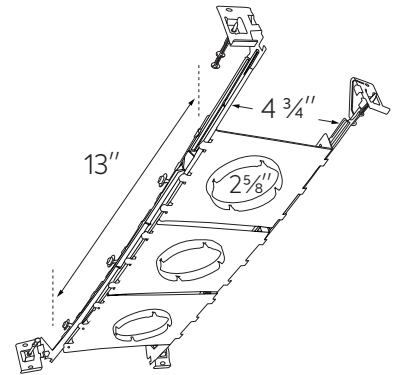
1" TRIMLESS MULTIPLE FRAME - 2 SETS

E2LF1-M2



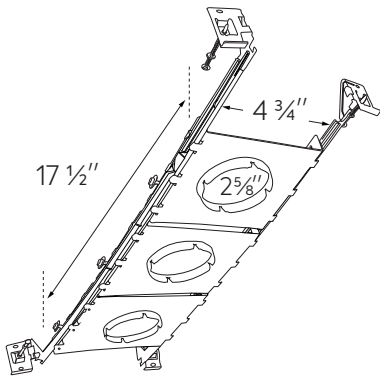
1" TRIMLESS MULTIPLE FRAME - 3 SETS

E2LF1-M3



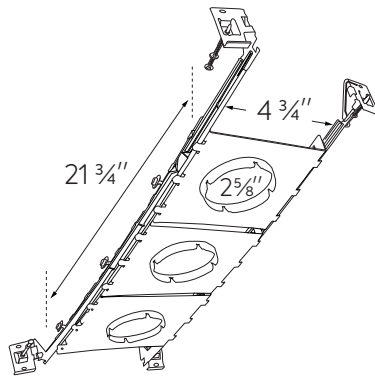
1" TRIMLESS MULTIPLE FRAME - 4 SETS

E2LF1-M4



1" TRIMLESS MULTIPLE FRAME - 5 SETS

E2LF1-M5





Dimmer Compatibility Chart

120V or 120/277V Downlights & Adjustables

For Reference Only

Testing conducted by embr is not a substitute for and does not imply certification by an independent laboratory or any other standards certification. Refer to manufacturer specifications for more detailed information on product certifications and standards. Consult the dimmer manufacturer prior to installation to ensure compatibility.

Manufacturer	Product	Part Number	Dimmed Light Output Range
For Triac/ELV Dimmers			
Cooper	Slide Dimmer, 277V, 600W Fluorescent/Halogen, Single Pole, 3-Way	SAL06P	10% - 100%
Leviton	Decora SureSlide® Single Pole with Slide -to-Off	6672	10% - 100%
Lutron	Caséta® Wireless Dimmer	PD-6WCL	5% - 100%
	Maestro, 120V AC, 50/60Hz, 150W LED/CFL, 600W Incandescent/Halogen, Single Pole, 3-Way, Indoor Application	MA-PRO	5% - 100%
	Maestro, 120V, 50/60Hz, 150W LED/CFL, Single Pole, 3-Way	MACL-153M	5% - 100%
	Diva® Series 150W Single Pole/3-Way Dimmer	DVCL-153P	5% - 100%
	Skylark, 120V AC 60Hz, 150W LED/CFL, Single Pole, 3-Way	SCL-153P	5% - 100%
	Ariadni®/Toggler® Series 150W Single Pole/3-Way Dimmer	TGCL-153P	5% - 100%
	Diva, 120V AC, 60Hz, 600W Incandescent/Halogen, Single Pole, 3-Way, Residential/Commercial Application	DV-603P	5% - 100%
	Skylark® Series 600W Single Pole	S-600P	5% - 100%
For D Version Triac/ELV Dimmers			
Leviton	Decora SureSlide® Single Pole with Slide -to-Off	6672	10% - 100%
Lutron	Caséta® Wireless Dimmer	PD-6WCL	1% - 100%
	Maestro, 120V AC, 50/60Hz, 150W LED/CFL, 600W Incandescent/Halogen, Single Pole, 3-Way, Indoor Application	MA-PRO	1% - 100%
	Maestro, 120V, 50/60Hz, 150W LED/CFL, Single Pole, 3-Way	MACL-153M	10% - 100%
	Diva® Series 150W Single Pole/3-Way Dimmer	DVCL-153P	1% - 100%
	Skylark, 120V AC 60Hz, 150W LED/CFL, Single Pole, 3-Way	SCL-153P	1% - 100%
	Diva® Series, 120V AC 60Hz, Low Voltage Load Type, 150W Single Pole	DVLV-600P	1% - 100%
	Diva, 120V AC, 60Hz, 600W Incandescent/Halogen, Single Pole, 3-Way, Residential/Commercial Application	DV-603P	1% - 100%
	Skylark® Series 600W Single Pole	S-600P	1% - 100%
For D Version 0-10V			
Lutron	Diva®, 120/277V, 0-10V, Single Pole, 3-Way	DVSTV	1% - 100%
Leviton	Decora Illumatech®, 120/277V, 0-10V, Fluorescent/LED Load Type, Single Pole, 3-Way	IP710	1% - 100%

***NOTE: Refer to dimmer manufacturer's documentation for installation instructions and circuit details**

Disclaimer: Minimum and maximum loads for LEDs and CFLs are given in number of lamps and may vary depending on the lamp being used. Testing conducted by ELCO Lighting is not a substitute for and does not imply certification by an independent laboratory or any other standards certification. Refer to manufacturer specifications for more detailed information on product certifications and standards.

Integrating our lighting with your Smart Home System is a breeze. Simply check your Smart Home system for compatible smart switches and cross reference that with our Dimming Compatibility Chart. Once the switches are integrated with your Smart Home system your lights will be ready to go.

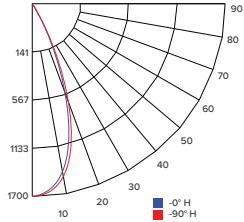


Photometric Report

Embr Architectural Recessed Fixtures

PHOTOMETRIC REPORT

Product #: MR1A02F27
 Wattage/Lumens: 79W/850 lm
 Luminaire LPW: 107 lm/W



CANDLE POWER SUMMARY

Degree Vertical	0°
0	1673
5	1579
15	1102
25	454
35	167
45	41
55	17
65	9
75	6
85	1
90	0

ILLUMINANCE AT A DISTANCE

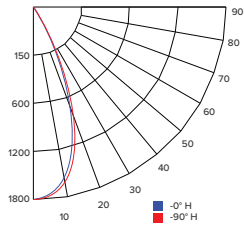
Distance to Target Plane	Center Beam Footcandles	Beam Diameter
4'	105	2.8'
6'	46.5	4.1'
8'	26.1	5.5'
10'	16.7	6.9'

ZONAL LUMEN SUMMARY

Zone	Lumens	%Luminaire
0-30°	671.4	79.3
0-40°	780.4	92.2
0-60°	830.6	98.1
0-90°	846.6	100

PHOTOMETRIC REPORT

Product #: MR1A02F30
 Wattage/Lumens: 8W/900 lm
 Luminaire LPW: 112 lm/W



CANDLE POWER SUMMARY

Degree Vertical	0°
0	1761
5	1662
15	1160
25	478
35	176
45	43
55	18
65	10
75	6
85	1
90	0

ILLUMINANCE AT A DISTANCE

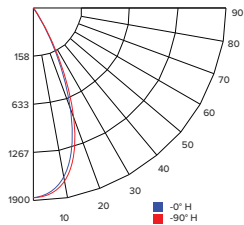
Distance to Target Plane	Center Beam Footcandles	Beam Diameter
4'	110	2.8'
6'	48.9	4.1'
8'	27.5	5.5'
10'	17.6	6.9'

ZONAL LUMEN SUMMARY

Zone	Lumens	%Luminaire
0-30°	706.7	79.3
0-40°	821.4	92.2
0-60°	874.4	98.1
0-90°	891.1	100

PHOTOMETRIC REPORT

Product #: MR1A02F35
 Wattage/Lumens: 8W/950 lm
 Luminaire LPW: 118 lm/W



CANDLE POWER SUMMARY

Degree Vertical	0°
0	1870
5	1765
15	1232
25	508
35	186
45	46
55	19
65	11
75	6
85	1
90	0

ILLUMINANCE AT A DISTANCE

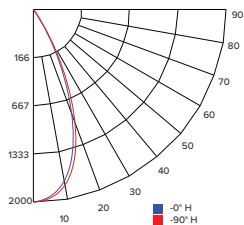
Distance to Target Plane	Center Beam Footcandles	Beam Diameter
4'	117	2.8'
6'	51.9	4.1'
8'	29.2	5.5'
10'	18.7	6.9'

ZONAL LUMEN SUMMARY

Zone	Lumens	%Luminaire
0-30°	750.2	79.3
0-40°	872.0	92.2
0-60°	928.2	98.1
0-90°	946.0	100

PHOTOMETRIC REPORT

Product #: MR1A02F40
 Wattage/Lumens: 8W/1012 lm
 Luminaire LPW: 126 lm/W



CANDLE POWER SUMMARY

Degree Vertical	0°
0	1978
5	1867
15	1303
25	537
35	197
45	48
55	20
65	11
75	7
85	1
90	0

ILLUMINANCE AT A DISTANCE

Distance to Target Plane	Center Beam Footcandles	Beam Diameter
4'	124	2.8'
6'	54.9	4.1'
8'	30.9	5.5'
10'	19.8	6.9'

ZONAL LUMEN SUMMARY

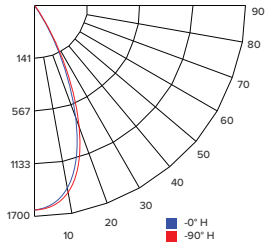
Zone	Lumens	%Luminaire
0-30°	793.7	79.3
0-40°	922.5	92.2
0-60°	982.0	98.1
0-90°	1000.8	100

Photometric Report

Embr Architectural Recessed Fixtures

PHOTOMETRIC REPORT

Product #: MR1A02FSD
 Wattage / Lumens: 7.9W/850lm
 Luminaire LPW: 107 lm/W



CANDLE POWER SUMMARY

Degree Vertical	Candle Power
0	1667
5	1573
15	1098
25	453
35	166
45	41
55	17
65	9
75	6
85	1
90	0

ILLUMINANCE AT A DISTANCE

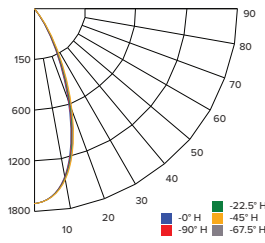
Distance to Target Plane	Center Beam Footcandles	Beam Diameter
4'	104	2.8'
6'	46.3	4.1'
8'	26.0	5.5'
10'	16.7	6.9'

ZONAL LUMEN SUMMARY

Zone	Lumens	%Luminaire
0-30°	668.6	79.3
0-40°	777.2	92.2
0-60°	827.3	98.1
0-90°	843.2	100

PHOTOMETRIC REPORT

Product #: MR1A12F27
 Wattage / Lumens: 8W / 853 lm
 Luminaire LPW: 106 lm/W



CANDLE POWER SUMMARY

Degree Vertical	Candle Power
0	1707
5	1661
15	1138
25	433
35	125
45	42
55	24
65	14
75	6
85	1
90	0

ILLUMINANCE AT A DISTANCE

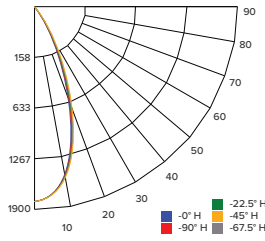
Distance to Target Plane	Center Beam Footcandles	Beam Diameter
4'	107	2.7'
6'	47.4	4.0'
8'	26.7	5.4'
10'	17.1	6.7'

ZONAL LUMEN SUMMARY

Zone	Lumens	%Luminaire
0-30°	678.5	79.8
0-40°	767.3	90.3
0-60°	827.6	97.3
0-90°	850.1	100

PHOTOMETRIC REPORT

Product #: MR1A12F30
 Wattage / Lumens: 8W / 906 lm
 Luminaire LPW: 113 lm/W



CANDLE POWER SUMMARY

Degree Vertical	Candle Power
0	1813
5	1765
15	1209
25	460
35	133
45	45
55	25
65	15
75	7
85	1
90	0

ILLUMINANCE AT A DISTANCE

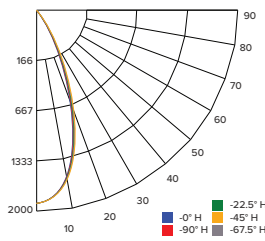
Distance to Target Plane	Center Beam Footcandles	Beam Diameter
4'	113	2.7'
6'	50.4	4.0'
8'	28.3	5.4'
10'	18.1	6.7'

ZONAL LUMEN SUMMARY

Zone	Lumens	%Luminaire
0-30°	720.9	79.8
0-40°	815.3	90.3
0-60°	879.3	97.3
0-90°	903.3	100

PHOTOMETRIC REPORT

Product #: MR1A12F35
 Wattage / Lumens: 8W / 960 lm
 Luminaire LPW: 120 lm/W



CANDLE POWER SUMMARY

Degree Vertical	Candle Power
0	1920
5	1868
15	1280
25	487
35	140
45	48
55	27
65	15
75	7
85	1
90	0

ILLUMINANCE AT A DISTANCE

Distance to Target Plane	Center Beam Footcandles	Beam Diameter
4'	120	2.7'
6'	53.3	4.0'
8'	30.0	5.4'
10'	19.2	6.7'

ZONAL LUMEN SUMMARY

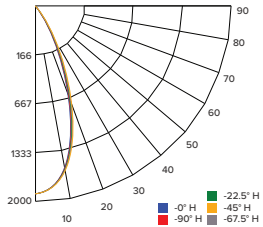
Zone	Lumens	%Luminaire
0-30°	763.3	79.8
0-40°	863.2	90.3
0-60°	931.0	97.3
0-90°	956.4	100

Photometric Report

Embr Architectural Recessed Fixtures

PHOTOMETRIC REPORT

Product #: MR1A12F40
Wattage/Lumens: 8W/1000lm
Luminaire LPW: 125 lm/W



CANDLE POWER SUMMARY

Degress Vertical	0°
0	1995
5	1941
15	1330
25	506
35	146
45	49
55	28
65	16
75	7
85	1
90	0

ILLUMINANCE AT A DISTANCE

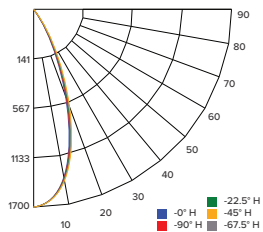
Distance to Target Plane	Center Beam Footcandles	Beam Diameter
4'	125	2.7'
6'	55.4	4.0'
8'	31.2	5.4'
10'	19.9	6.7'

ZONAL LUMEN SUMMARY

Zone	Lumens	%Luminaire
0-30°	792.9	79.8
0-40°	896.8	90.3
0-60°	967.2	97.3
0-90°	993.6	100

PHOTOMETRIC REPORT

Product #: MR1A12FSD
Wattage/Lumens: 8W / 850 lm
Luminaire LPW: 106 lm/W



CANDLE POWER SUMMARY

Degress Vertical	0°
0	1691
5	1645
15	1127
25	429
35	124
45	42
55	23
65	14
75	6
85	1
90	0

ILLUMINANCE AT A DISTANCE

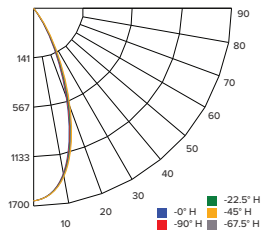
Distance to Target Plane	Center Beam Footcandles	Beam Diameter
4'	106	2.7'
6'	47.0	4.0'
8'	26.4	5.4'
10'	16.9	6.7'

ZONAL LUMEN SUMMARY

Zone	Lumens	%Luminaire
0-30°	672.1	79.8
0-40°	760.1	90.3
0-60°	819.8	97.3
0-90°	842.2	100

PHOTOMETRIC REPORT

Product #: MR1A22F27
Wattage/Lumens: 8W / 850 lm
Luminaire LPW: 106 lm/W



CANDLE POWER SUMMARY

Degress Vertical	0°
0	1661
5	1606
15	1109
25	470
35	138
45	49
55	17
65	8
75	3
85	0
90	0

ILLUMINANCE AT A DISTANCE

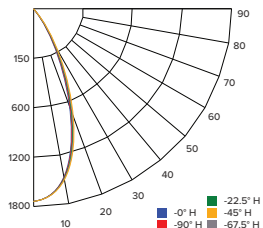
Distance to Target Plane	Center Beam Footcandles	Beam Diameter
4'	104	2.8'
6'	46.1	4.2'
8'	25.9	5.6'
10'	16.6	7.0'

ZONAL LUMEN SUMMARY

Zone	Lumens	%Luminaire
0-30°	675.5	79.8
0-40°	775.7	91.7
0-60°	833.4	98.5
0-90°	846.1	100

PHOTOMETRIC REPORT

Product #: MR1A22F30
Wattage/Lumens: 8W / 897 lm
Luminaire LPW: 112 lm/W



CANDLE POWER SUMMARY

Degress Vertical	0°
0	1756
5	1698
15	1173
25	497
35	146
45	52
55	18
65	8
75	4
85	0
90	0

ILLUMINANCE AT A DISTANCE

Distance to Target Plane	Center Beam Footcandles	Beam Diameter
4'	110	2.8'
6'	48.8	4.2'
8'	27.4	5.6'
10'	17.6	7.0'

ZONAL LUMEN SUMMARY

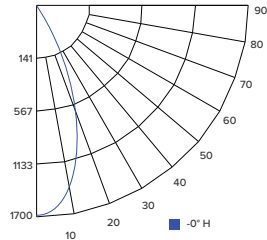
Zone	Lumens	%Luminaire
0-30°	714.4	79.8
0-40°	820.3	91.7
0-60°	881.3	98.5
0-90°	894.8	100

Photometric Report

Embr Architectural Recessed Fixtures

PHOTOMETRIC REPORT

Product #: MR1A32F27
 Wattage / Lumens: 8.1W/846lm
 Luminaire LPW: 104 lm/W



CANDLE POWER SUMMARY

Degress Vertical	0°
0	1685
5	1630
15	1133
25	489
35	136
45	42
55	18
65	10
75	5
85	1
90	0

ILLUMINANCE AT A DISTANCE

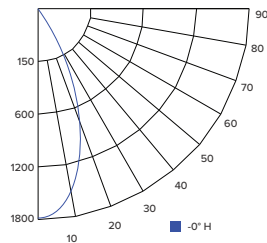
Distance to Target Plane	Center Beam Footcandles	Beam Diameter
4'	105	2.8'
6'	46.8	4.2'
8'	26.3	5.6'
10'	16.9	6.9'

ZONAL LUMEN SUMMARY

Zone	Lumens	%Luminaire
0-30°	682.9	81.2
0-40°	773.4	91.9
0-60°	824.0	98
0-90°	841.3	100

PHOTOMETRIC REPORT

Product #: MR1A32F30
 Wattage / Lumens: 8W / 900 lm
 Luminaire LPW: 112 lm/W



CANDLE POWER SUMMARY

Degress Vertical	0°
0	1795
5	1737
15	1207
25	521
35	145
45	45
55	19
65	11
75	6
85	1
90	0

ILLUMINANCE AT A DISTANCE

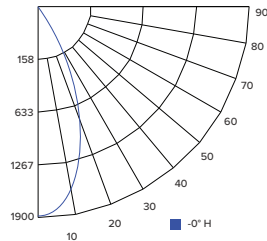
Distance to Target Plane	Center Beam Footcandles	Beam Diameter
4'	112	2.8'
6'	49.9	4.2'
8'	28.1	5.6'
10'	18.0	6.9'

ZONAL LUMEN SUMMARY

Zone	Lumens	%Luminaire
0-30°	727.4	81.2
0-40°	823.8	91.9
0-60°	877.8	98
0-90°	896.1	100

PHOTOMETRIC REPORT

Product #: MR1A32F35
 Wattage / Lumens: 8W / 950 lm
 Luminaire LPW: 118 lm/W



CANDLE POWER SUMMARY

Degress Vertical	0°
0	1895
5	1833
15	1274
25	550
35	153
45	47
55	20
65	11
75	6
85	1
90	0

ILLUMINANCE AT A DISTANCE

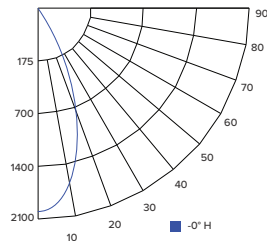
Distance to Target Plane	Center Beam Footcandles	Beam Diameter
4'	118	2.8'
6'	52.6	4.2'
8'	29.6	5.6'
10'	18.9	6.9'

ZONAL LUMEN SUMMARY

Zone	Lumens	%Luminaire
0-30°	767.7	81.2
0-40°	869.4	91.9
0-60°	926.4	98
0-90°	945.8	100

PHOTOMETRIC REPORT

Product #: MR1A32F40
 Wattage / Lumens: 8W / 1007 lm
 Luminaire LPW: 125 lm/W



CANDLE POWER SUMMARY

Degress Vertical	0°
0	2015
5	1949
15	1355
25	585
35	162
45	50
55	22
65	12
75	7
85	1
90	0

ILLUMINANCE AT A DISTANCE

Distance to Target Plane	Center Beam Footcandles	Beam Diameter
4'	126	2.8'
6'	56.0	4.2'
8'	31.5	5.6'
10'	20.2	6.9'

ZONAL LUMEN SUMMARY

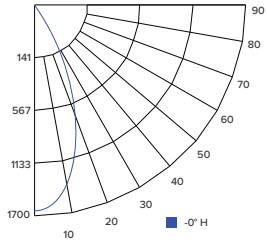
Zone	Lumens	%Luminaire
0-30°	816.5	81.2
0-40°	924.7	91.9
0-60°	985.2	98
0-90°	1005.8	100

Photometric Report

Embr Architectural Recessed Fixtures

PHOTOMETRIC REPORT

Product #: MR1A32FSD
 Wattage / Lumens: 8W/850lm
 Luminaire LPW: 106 lm/W



CANDLE POWER SUMMARY

Degree Vertical	0°
0	1675
5	1620
15	1126
25	486
35	135
45	42
55	18
65	10
75	5
85	1
90	0

ILLUMINANCE AT A DISTANCE

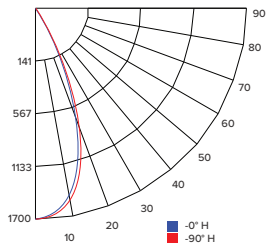
Distance to Target Plane	Center Beam Footcandles	Beam Diameter
4'	105	2.8'
6'	46.5	4.2'
8'	26.2	5.6'
10'	16.7	6.9'

ZONAL LUMEN SUMMARY

Zone	Lumens	%Luminaire
0-30°	678.6	81.2
0-40°	768.6	91.9
0-60°	818.9	98
0-90°	836.0	100

PHOTOMETRIC REPORT

Product #: MR1A61F27
 Wattage / Lumens: 7.9W / 850 lm
 Luminaire LPW: 107 lm/W



CANDLE POWER SUMMARY

Degree Vertical	0°
0	1673
5	1579
15	1102
25	454
35	167
45	41
55	17
65	9
75	6
85	1
90	0

ILLUMINANCE AT A DISTANCE

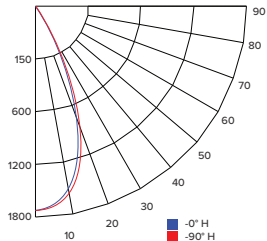
Distance to Target Plane	Center Beam Footcandles	Beam Diameter
4'	105	2.8'
6'	46.5	4.1'
8'	26.1	5.5'
10'	16.7	6.9'

ZONAL LUMEN SUMMARY

Zone	Lumens	%Luminaire
0-30°	671.4	79.3
0-40°	780.4	92.2
0-60°	830.6	98.1
0-90°	846.6	100

PHOTOMETRIC REPORT

Product #: MR1A61F30
 Wattage / Lumens: 8W / 900 lm
 Luminaire LPW: 112 lm/W



CANDLE POWER SUMMARY

Degree Vertical	0°
0	1761
5	1662
15	1160
25	478
35	176
45	43
55	18
65	10
75	6
85	1
90	0

ILLUMINANCE AT A DISTANCE

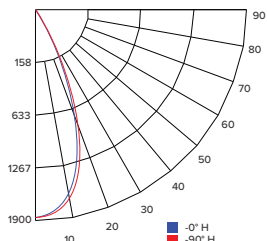
Distance to Target Plane	Center Beam Footcandles	Beam Diameter
4'	110	2.8'
6'	48.9	4.1'
8'	27.5	5.5'
10'	17.6	6.9'

ZONAL LUMEN SUMMARY

Zone	Lumens	%Luminaire
0-30°	706.7	79.3
0-40°	821.5	92.2
0-60°	874.4	98.1
0-90°	891.1	100

PHOTOMETRIC REPORT

Product #: MR1A61F35
 Wattage / Lumens: 8W / 950 lm
 Luminaire LPW: 118 lm/W



CANDLE POWER SUMMARY

Degree Vertical	0°
0	1870
5	1765
15	1232
25	508
35	186
45	46
55	19
65	11
75	6
85	1
90	0

ILLUMINANCE AT A DISTANCE

Distance to Target Plane	Center Beam Footcandles	Beam Diameter
4'	117	2.8'
6'	51.9	4.1'
8'	29.2	5.5'
10'	18.7	6.9'

ZONAL LUMEN SUMMARY

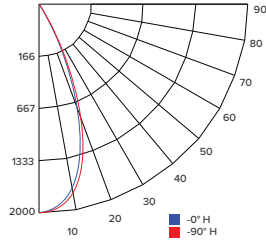
Zone	Lumens	%Luminaire
0-30°	750.2	79.3
0-40°	872.0	92.2
0-60°	928.2	98.1
0-90°	946.0	100

Photometric Report

Embr Architectural Recessed Fixtures

PHOTOMETRIC REPORT

Product #: MR1A61F40
 Wattage/Lumens: 8W/1012 lm
 Luminaire LPW: 126 lm/W



CANDLE POWER SUMMARY

Degree Vertical	0°
0	1978
5	1867
15	1303
25	537
35	197
45	48
55	20
65	11
75	7
85	1
90	0

ILLUMINANCE AT A DISTANCE

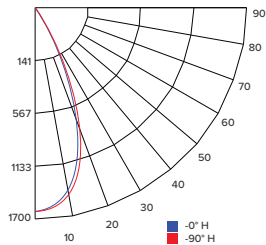
Distance to Target Plane	Center Beam Footcandles	Beam Diameter
4'	124	2.8'
6'	54.9	4.1'
8'	30.9	5.5'
10'	19.8	6.9'

ZONAL LUMEN SUMMARY

Zone	Lumens	%Luminaire
0-30°	793.7	79.3
0-40°	922.5	92.2
0-60°	982.0	98.1
0-90°	1000.8	100

PHOTOMETRIC REPORT

Product #: MR1A61FSD
 Wattage / Lumens: 79W / 850 lm
 Luminaire LPW: 107 lm/W



CANDLE POWER SUMMARY

Degree Vertical	0°
0	1667
5	1573
15	1098
25	453
35	166
45	41
55	17
65	9
75	6
85	1
90	0

ILLUMINANCE AT A DISTANCE

Distance to Target Plane	Center Beam Footcandles	Beam Diameter
4'	104	2.8'
6'	46.3	4.1'
8'	26.0	5.5'
10'	16.7	6.9'

ZONAL LUMEN SUMMARY

Zone	Lumens	%Luminaire
0-30°	668.6	79.3
0-40°	777.2	92.2
0-60°	827.3	98.1
0-90°	843.2	100