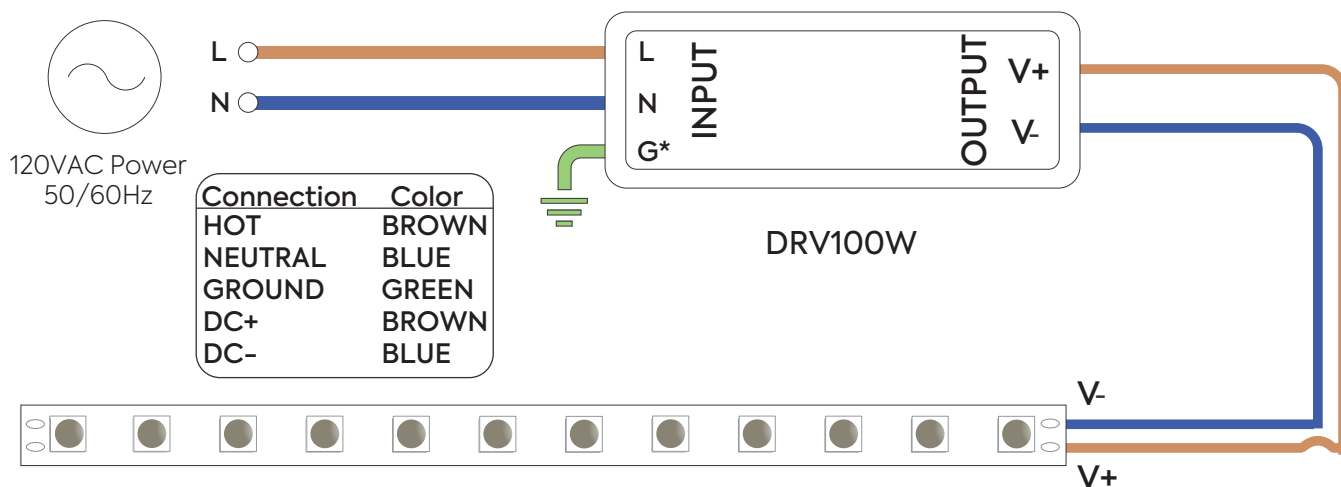


WARNING: These products may represent a possible shock or fire hazard if improperly installed or attached in any way. Products should be installed in accordance with these instructions, current local electrical codes and/or the current National Electric Code (NEC).

CAUTION: To reduce risk of fire, electric shock, or injury to persons:

1. Make sure that the electrical power to the fixture is disconnected prior to any installation.
2. Use wire nuts on all connections and cap any unused wires.
3. LED tape light should be connected first to the driver and must be connected before powering unit on to avoid "Hot Plugging"

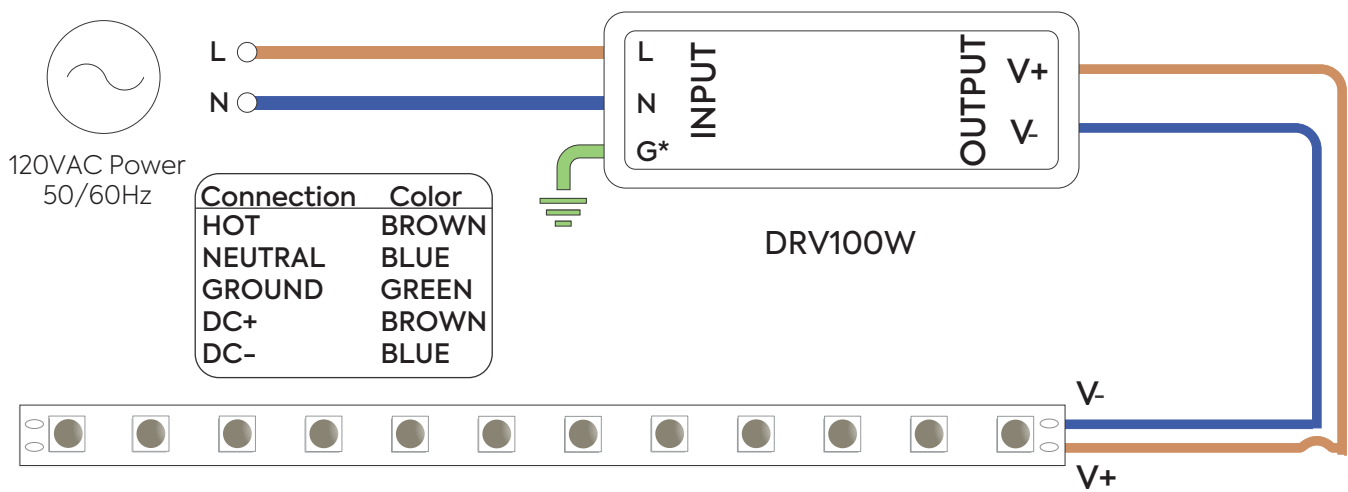
2. For DRV100W with Hardwire



WARNING: These products may represent a possible shock or fire hazard if improperly installed or attached in any way. Products should be installed in accordance with these instructions, current local electrical codes and/or the current National Electric Code (NEC).

CAUTION: To reduce risk of fire, electric shock, or injury to persons:

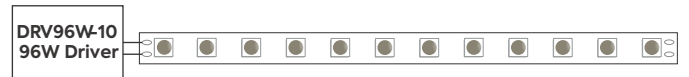
1. Make sure that the electrical power to the fixture is disconnected prior to any installation.
2. Use wire nuts on all connections and cap any unused wires.
3. LED tape light should be connected first to the driver and must be connected before powering unit on to avoid "Hot Plugging"



1. 38 ft Section

Run 1: 20ft

Run 2: 18ft



2. 32 ft Section

Run 3: 20ft

Run 4: 12ft

