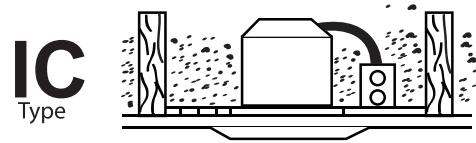


Fixtures are classified for insulated ceilings-type IC and type T-and for suspended ceilings-type S. To insure safe and reliable operations. Make sure the fixture corresponds to the carefully before beginning installation



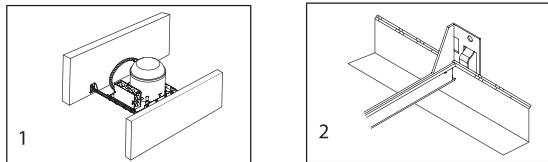
Insulated Ceiling
The insulated ceiling or I.C. approved recessed fixture is one that can be installed in direct contact with insulation

Before attempting installation of any recessed lighting fixture check your local electrical code. This code sets the wiring standards for your locality and should be carefully studied before starting work

NEW CONSTRUCTION INSTALLATION

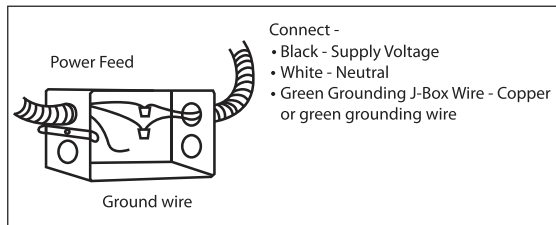
1.FASTENING FIXTURE TO CEILING

Joist-type ceiling-extend bar hangers to fit between joists. Position fixture temporarily by hammering "Nail" into joists. (Drawing 1), then secure permanently with nails. Hangers should be level with bottom of joists. Suspended(T-bar)ceilings-extend bar hangers 1" past T-bars, then rest fixture on T-bars. Secure fixture to T-bars with wire (drawing 2)



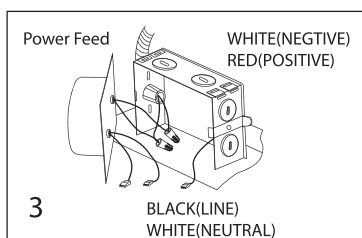
2.ELECTRICAL CONNECTION

1) Housings without LED driver



2) Housings with LED driver

Junction box contains two wires. A black(hot+) and a white(neutral)-which must be spliced to the house current feed wire. Make sure to splice white to white and colored or black to black. After splicing has been completed, tuck splices carefully into junction box and replace cover (drawing3)

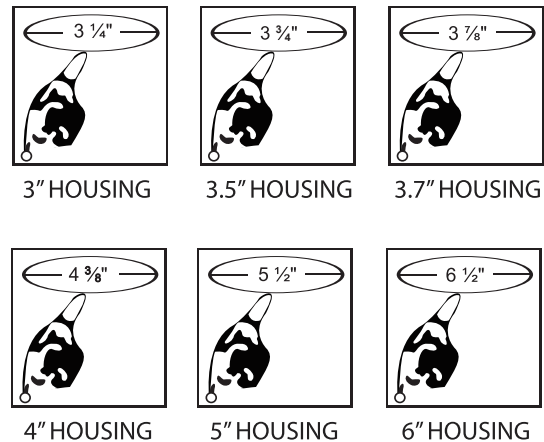


3) Grounding

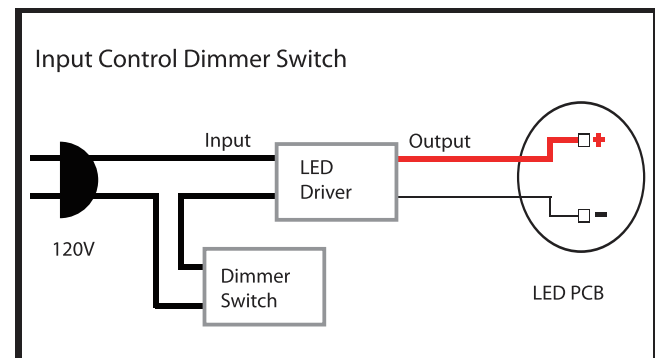
For Romex or 3 wire BX. flexible Armour cable installations attach supply groundlead(green) to bare copper groundlead or ground screw in wiring box mounted on plaster frame. Local electrical codes should be consulted to determine acceptable installation-conduit Romex, or flexible Armour cable.

3.CUTTING A HOLE

Locate the center of proposed opening on your tile or ceiling material and mark it. Rounds : Use a compass to draw a circle shown below diameter around the center point. Cut along this circular line



4. DIMMER SWITCH WIRING

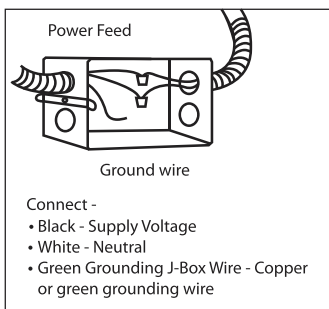


Step 1.
Carefully cut a hole in ceiling as shown below diameter.



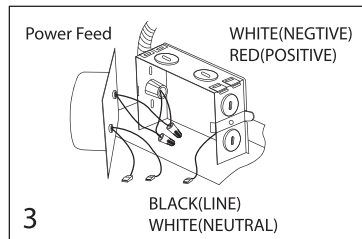
Step 2.
Pull supply wire through opening and make electrical connections.

1) Housings without LED driver



2) Housings with LED driver

Junction box contains two wires. A black(hot+) and a white (neutral-) which must be spliced to the house current feed wire. Make sure to splice white to white and colored or black to black. After splicing has been completed, tuck splices carefully into junction box and replace cover (drawing3)

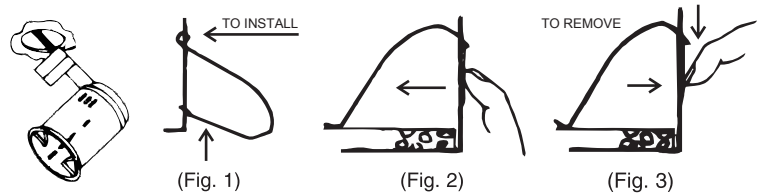


3) Grounding

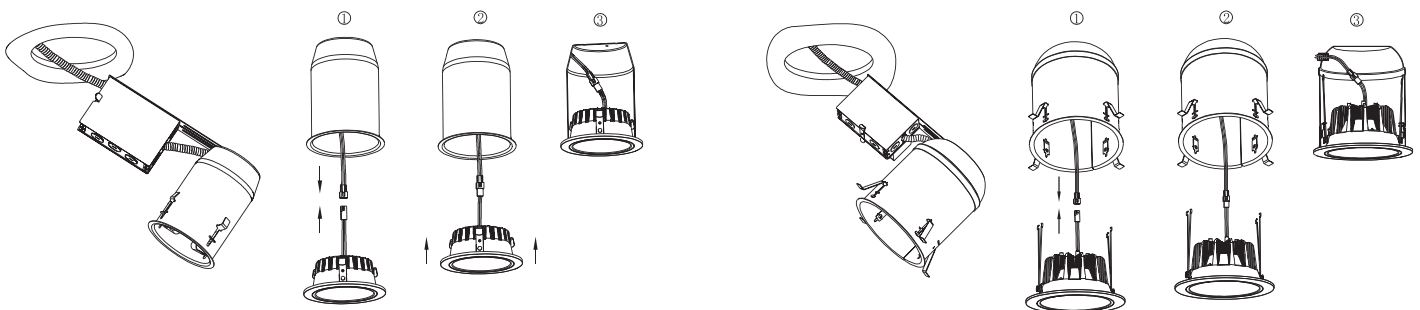
For Romex or 3 wire BX. flexible Armour cable installations attach supply groundlead (green) to bare copper groundlead or ground screw in wiring box mounted on plaster frame. Local electrical codes should be consulted to determine acceptable installation-conduit Romex, or flexible Armour cable.

Step 3.
Insert the housing in ceiling cutout as illustrated.

With clips seated properly in can(fig. 1).
Insert remodel housing into ceiling, junction box first.
Hold fixture up against ceiling and push clip through housing slot(fig. 2).
To lock clip in place push flat portion against side of can(fig. 2).
To release pull down on clip(fig. 3).



TRIM INSTALLATION





WARNING:

Risk of electric shock. Before wiring to power supply, turn off electricity at the fuse or circuit breaker box.

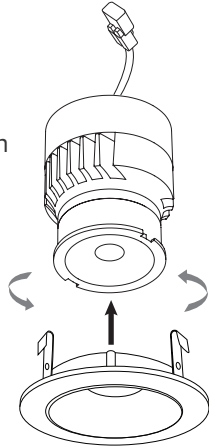
CAUTION:

For your safety read and understand instructions completely before starting installation. Installation requires knowledge of luminaires electrical system. If not qualified, DO NOT attempt installation. Contact a qualified electrician if necessary.

Koto™ Module to Trims and Recessed Housing Installation Instruction:

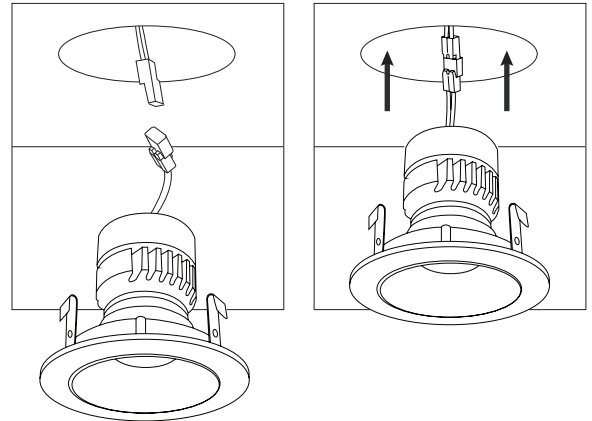
Step 1

Install Koto™ Module and trim using twist-on mechanism.



Step 2

Mate the connector on module with the connector from recessed housing. Follow by inserting module with trim assembly into housing.



Koto™ Module to Sylo™ Applications Installation Instruction:

Step 1

Un-Twist the front ring from Sylo™ fixture (surface mount, monopoint, pendant, or track).

Step 2

Connect Koto™ LED Module to Sylo fixture using quick connect system. Follow by connecting module and fixture ring using twist-on mechanism

Step 3

Twist front ring back to Sylo fixture

