

4" RECESSED FIXTURES

4" Downlights & Adjustables



FEATURES

- Precision die-cast trims
- IC Airtight for direct contact with insulation
- Quick Connect for easy module installation
- 50,000 hour lifespan, L70
- Excellent color rendering 95+ CRI
- Dim to warm option dims from 3000K to 18000K
- Human centric dim to warm dims from 4000K to 2200K
- Optional 5 Color temperature switch module includes integral switch to easily change color temperatures between 27K, 30K, 35K, 40K & 50K

SPECIFICATIONS

WATTAGE:	5W - 12.5W
LUMENS:	350 lm - 1350 lm
VOLTAGE:	120V or 120-277V
COLOR TEMP:	24K, 27K, 30K, 35K, 40K, 5 Color Temp Switch, Dim to Warm & Human Centric Dim to Warm
DIMMING:	Triac/ELV or 0-10V/Triac/ELV
BEAM ANGLE:	10°, 18°, 25°, 38°, 60°
CRI:	95+

HOUSING PRODUCT NUMBER BUILDER | 1. Specify housing part number

ITEM	SIZE	APPLICATION	DIMMING/VOLTAGE	SPECIFICATION
MRH	<input type="text"/>	<input type="text"/>	<input type="text"/>	<input type="text"/>
MRH	4 4 INCH	NCMA NEW CONSTRUCTION; MAX. ADJUSTABILITY R REMODEL SINGLE WALL NC NEW CONSTRUCTION SINGLE WALL	(blank) STANDARD 120V, Triac, ELV UDX UNIVERSAL 120-277V, 10V, Triac, ELV	ICA IC RATED, AIRTIGHT

MODULE PRODUCT NUMBER BUILDER | 2. Specify module part number

ITEM	LUMENS	COLOR TEMP.	BEAM
MRL	<input type="text"/>	<input type="text"/>	<input type="text"/>
MRL	03 350 lm / 120V - Triac/ELV / 5W ¹ 07 750 lm / 120V - Triac/ELV / 10W 09 950 lm / 120V - Triac/ELV / 10W 11 1150 lm / 120V - Triac/ELV / 12.5W 13 1350 lm / 120V - Triac/ELV / 12.5W 10DX 1000 lm / 120-277V, 0-10V, Triac/ELV / 11.8W ² ¹ For 2700K & 3000K only ² Requires "UDX" housing	24 2400K ³ 27 2700K 30 3000K 35 3500K 40 4000K D31 DIM TO WARM 3000-1800K ⁴ D42 HUMAN CENTRIC 4000-2200K ⁵ ³ For 07, 09 & 11 modules only ⁴ For 09 & 11 modules only ⁵ For 11 module only	-T 10° ⁶ -S 18° -N 25° (blank) 38° ⁷ -W 60° ⁶ Available as 350 lm & 750 lm in 27K and 30K ⁷ 38° installed. 25° & 60° included
SELECTABLE COLOR TEMPERATURE			
	08 850 lm / 120V -Triac/ELV / 10W 10 1000 lm / 120V -Triac/ELV / 10W	C5 Color selectable, 27K, 30K, 35K, 40K, 50K	

ACCESSORIES

*Up to 5 accessories can be added

Lens



EP731C 18° Lens
EP732C 25° Lens
EP733C 38° Lens
EP734C 60° Lens

*EP732C, EP733C, EP734C Included with beam Foption

Secondary Optics



L50W White Snoot
L50B Black Snoot



L45 Hex Louver



L46 Linear Lens



L47 Spread Louver



L49 Frosted Lens



L51 Color Shifter



L57 White Hex Louver



L52 Blue Lens



L53 Pink Shifter

3. Specify trim part number (Choose one option only)

ROUND TRIMS PRODUCT NUMBER BUILDER

ITEM	SIZE	SHAPE	STYLE	COLOR FINISH
MRT				
MRT	4 4 INCH	RD ROUND	10 FIXED DOWNLIGHT 29 ADJUSTABLE ¹ 27 ADJUSTABLE PINHOLE ¹ 35 CURVED TRIM ²	W ALL WHITE BB ALL BLACK BZ ALL BRONZE B BLACK WITH WHITE TRIM H HAZE WITH WHITE TRIM
			¹ 358° rotation. 35° tilt with MAX. Adjustability housing. 25° with tilt other housings ² Available in W and BB finishes only	

SQUARE TRIMS PRODUCT NUMBER BUILDER

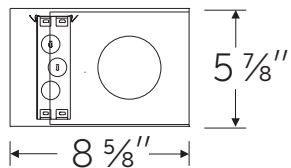
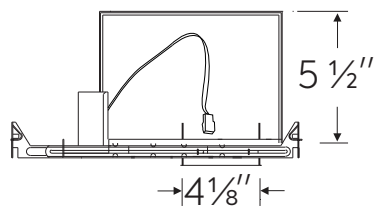
ITEM	SIZE	SHAPE	STYLE	COLOR FINISH
MRT				
MRT	4 4 INCH	SQ SQUARE	10 FIXED DOWNLIGHT ¹ 29 ADJUSTABLE ^{1,2,3} 27 ADJUSTABLE PINHOLE ^{1,2}	W ALL WHITE BB ALL BLACK BZ ALL BRONZE B BLACK WITH WHITE TRIM H HAZE WITH WHITE TRIM
			¹ Not for use with remodel housing ² 358° rotation. 35° tilt with MAX. Adjustability housing. 25° with tilt other housings ³ Not available in "BZ" color finish	
ACCESSORIES				
Round Flush Mount Adapter		Square Flush Mount Adapter*		
EL4FMR		EL4FMS		<small>*only for Square Adjustable Pinhole trim</small>
4 INCH ROUND		4 INCH SQUARE		

TRIMLESS PRODUCT NUMBER BUILDER

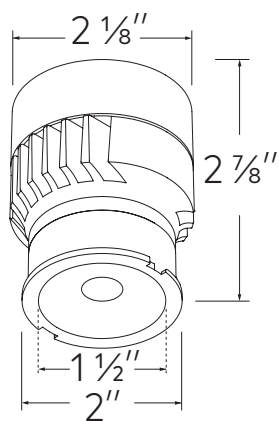
ITEM	SIZE	SHAPE	STYLE	COLOR FINISH
MRT				
MRT	4 4 INCH	RD ROUND TRIMLESS ¹ SQ SQUARE TRIMLESS ¹	60 FIXED ¹ 55 ADJUSTABLE ²	W ALL WHITE BB ALL BLACK BZ ALL BRONZE ³ H HAZE WITH WHITE TRIM
		¹ Must be used with Max. Adjustability housing	² Requires spackle frame. 35° adjustability	
ACCESSORIES				
Round Spackle Frame		Square Spackle Frame		
EL4SFR		EL4SFS		
4 INCH		4 INCH		
				³ Only for Round Trimless

DIMENSIONS

4" NEW CONSTRUCTION HOUSING

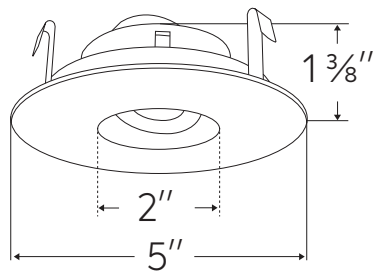


LED MODULE

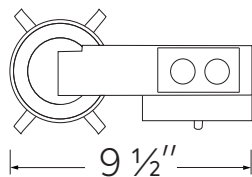
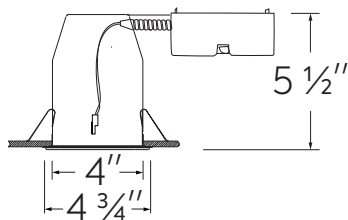


4" ROUND ADJUSTABLE PINHOLE

MRT4RD27

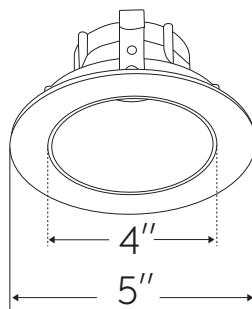


4" REMODEL SINGLE WALL HOUSING



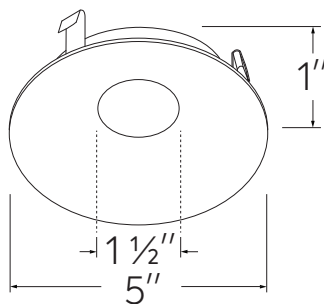
4" ROUND FIXED

MRT4RD10

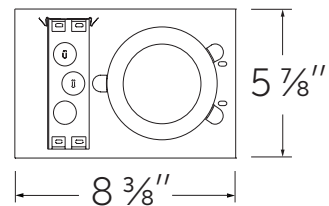
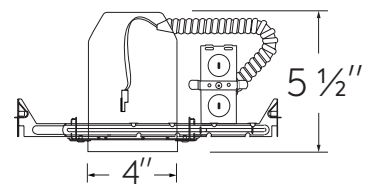


4" ROUND CURVED TRIM

MRT4RD35

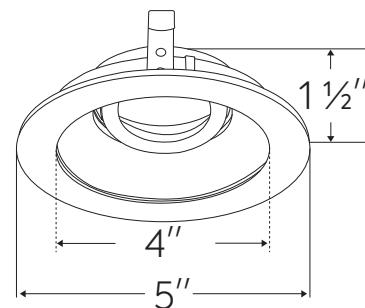


4" NEW CONSTRUCTION SINGLE WALL HOUSING



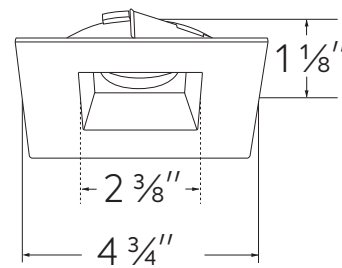
4" ROUND ADJUSTABLE

MRT4RD29



4" SQUARE FIXED DOWNLIGHT

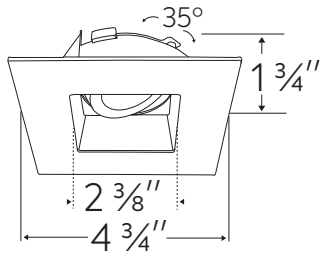
MRT4SQ10



DIMENSIONS

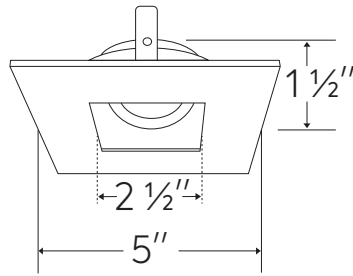
4" SQUARE ADJUSTABLE

MRT4SQ29



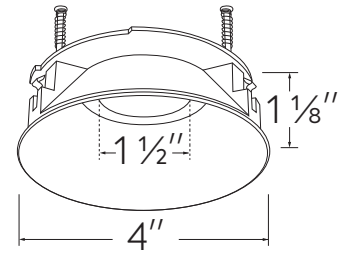
4" SQUARE ADJUSTABLE PINHOLE

MRT4SQ27



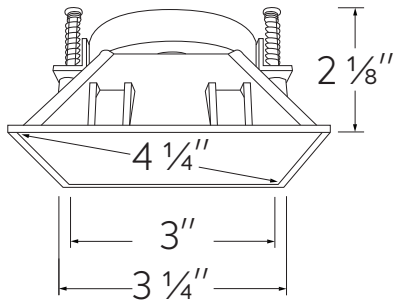
4" ROUND TRIMLESS

MRT4RD60, MRT4RD55



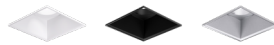
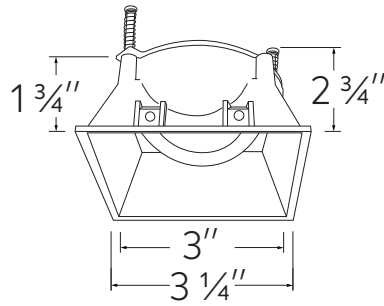
4" SQUARE TRIMLESS FIXED

MRT4SQ60



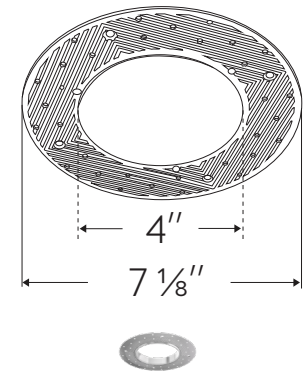
4" SQUARE TRIMLESS ADJUSTABLE

MRT4SQ55



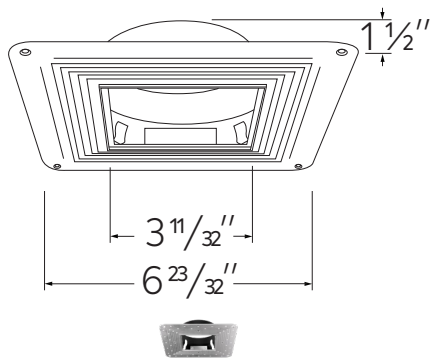
4" ROUND FLUSH MOUNT ADAPTER

EL4SFR



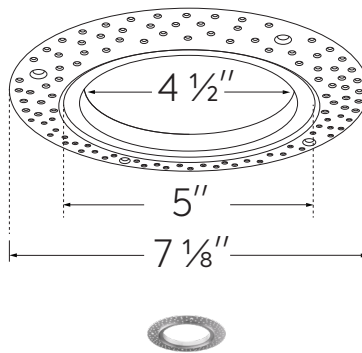
4" SQUARE SPACKLE FRAME

EL4SFS



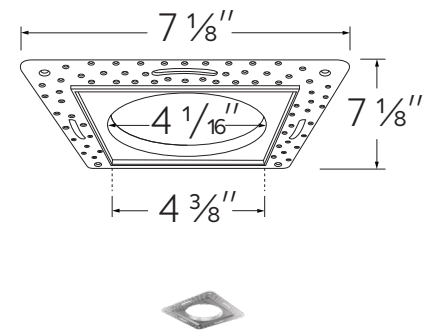
4" ROUND SPACKLE FRAME

EL4FMR



4" ROUND FLUSH MOUNT ADAPTER

EL4FMS





Dimmer Compatibility Chart

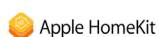
120V – Triac/ELV – Dimmers

For Reference Only

Testing conducted by embr is not a substitute for and does not imply certification by an independent laboratory or any other standards certification. Refer to manufacturer specifications for more detailed information on product certifications and standards. Consult the dimmer manufacturer prior to installation to ensure compatibility.

Manufacturer	Product	Part Number	Dimmed Light Output Range
Leviton	Decora SureSlide® Single Pole with Slide -to-Off	6672	10% - 100%
	Leviton Dimmer	1K35O2	5% - 100%
Lutron	Vive, 120V, 150W LED/CFL, 600W Incandescent/Halogen, FP, Single Pole/Multi-Location Dimmer, Commercial Application	MRF2S-6CL	5% - 91%
	Panel Model, Commercial/Residential Application, FP	GP (Harrier) Card	10% - 94%
	Grafik QS/Mailbox Power Module, 120/220 to 240V AC, LED/Incandescent/Halogen Load Type, Commercial/Residential Indoor Application, FP	LQRJ-WPM-6P	10% - 95%
	Grafik Eye 3000/HomeWorks, 120V, Incandescent/Fluorescent Load Type, Commercial/Residential Application, FP	HWI-WPM-6D-120	10% - 95%
	Panel Dimming Module, 120V, Commercial/Residential Application, FP	HW/LP-RPM-4U-120	10% - 95%
	Panel Adaptive Dimming Module, 120V, Commercial/Residential Application, FP	HW/LP-RPM-4A-120	5% - 95%
	HomeWorks® QS for CFL/LED loads, 120V, RP, Commercial/Residential Application	LQSE-4A1-D/ MQSE-4A1-D/MQSE-3A1/MQSE-2A1-D	5% - 95%
	Energi Savr Node LED+ Phase Adaptive, Commercial Application, Reverse Phase, (Zone 1) (Zones 2-4)	QSN-4A5-S	5% - 95%
	Energi Savr Node LED+ Phase Adaptive, Commercial Application, Forward Phase, (Zone 1) (Zones 2-4)	QSN-4A5-S	10% - 100%
	RadioRA®2, 120V, 50/60-Hz, 150W LED or 600W Incandescent/Halogen, 3-Way & 4-Way, Residential Application	RRD-6CL	10% - 95%
	RadioRA®3, 120V, 250W LED/CFL or 500W Incandescent/Halogen, Single Pole, Multi-Location	RRST-PRO-N	10% - 95%
	HomeWorks® QS, 120V, 60-Hz, 150W LED/CFL or 600W Incandescent/Halogen/MLV, Residential Application	HQRD-6CL(H2) HQRA-6CL(H2)	10% - 95%
	Homeworks QS, Residential Application, Reverse Phase	LQSE-4A-120-D	5% - 89%
	HomeWorks® for LED/Incandescent/Halogen loads, Reverse Phase, (Zone 1) (Zones 2-4)	LQSE-4A5-120-D	5% - 89%
	HomeWorks® for LED/Incandescent/Halogen loads, Forward Phase, (Zone 1) (Zones 2-4)	LQSE-4A5-120-D	10% - 100%
	Ariadni® C.L Single Pole/3-Way, 150W LED/CFL or 600W Incandescent/Halogen	AYCL-153P	10% - 100%
	Skylark Contour® C.L, Single Pole/3-Way, 150W LED/CFL or 600W Incandescent/Halogen	CTCL-153P	10% - 100%
	Skylark® C.L Single Pole/3-Way, 150W LED/CFL or 600W Incandescent/Halogen	SCL-153P	10% - 100%
	Diva® Series 150W Single Pole/3-Way Dimmer	DVCL-153P	10% - 100%
	Skylark Contour® Single Pole/3-Way 1000W Incandescent/Halogen	CT-103P	10% - 100%
Skylark® Single Pole 300W ELV Preset Dimmer	SELV-300P	5% - 100%	
Skylark® Single Pole 600W Incandescent/Halogen, Slide-to-Off Dimmer	S-600P	5% - 100%	

Integrating our lighting with your Smart Home System is a breeze. Simply check your Smart Home system for compatible smart switches and cross reference that with our Dimming Compatibility Chart. Once the switches are integrated with your Smart Home system your lights will be ready to go.



Manufacturer	Product	Part Number	Dimmed Light Output Range
Lutron	Diva® 300W Single Pole/3-Way ELV Dimmer	DVELV-303P	10% - 100%
	Diva® 600W Single Pole Incandescent/Halogen Preset Dimmer	DV-600P	5% - 100%
	Ariadni® 600W Single Pole Magnetic Low Voltage Dimmer	AYLV-600P	5% - 100%
	Ariadni® 600W Single Pole/3-Way Incandescent/Halogen Dimmer	AY-603P	5% - 100%
	Maestro® 600W Single Pole/3-Way ELV Dimmer	MAELV-600	5% - 100%
	Maestro® C.L Single Pole/3-Way Dimmer. 150W Max for LED/CFL or 600W Max for Incandescent/Halogen	MACL-153M	10% - 100%
	Caséta® Wireless Dimmer	PD-6WCL	10% - 100%

Dimmer Compatibility Chart

120-277V - Triac/ELV - Dimmers

Manufacturer	Product	Part Number	Dimmed Light Output Range
Triac/ELV Type Dimmers - 120V Only			
Lutron	120V AC, 150W LED/CFL or 600W Incandescent/Halogen, Single Pole, 3-Way	RRD-6CL	1% - 100%
	120V AC 60Hz, 150W LED/CFL/Incandescent/Halogen, Single Pole, 3-Way,	DVCL-153P	1% - 100%
	120V 60Hz, 150W LED/CFL or 600W Incandescent/Halogen, Single Pole, 3-Way	TGCL-153P	1% - 100%
	120V AC 60Hz, 300W Electronic Low Voltage, 3-Way, Commercial/ Residential Application	DVELV-303P	1% - 100%
	120V, 600W Incandescent/Halogen, Single Pole, Residential Indoor Application	TG-600P	1% - 100%
	120V, 1000W Incandescent or 600W Magnetic Low Voltage, Single Pole, 3-Way	CT103P	1% - 100%
	120V AC 60Hz, 600W Electronic Low Voltage, Single Pole/Multi-Location,	MAELV600	1% - 100%
	120V AC 60Hz, 500W Electronic Low Voltage, Single Pole/Multi-Location,	FAELV500	1% - 100%
	120V AC 60Hz, 600W Incandescent/Halogen, Single Pole, Slide-to-Off Dimmer	S-600P	1% - 100%
	120V AC 60Hz, 150W LED/CFL or 600W Incandescent/Halogen, Single Pole, 3-Way	SCL-153P	1% - 100%
	Caséta® Wireless Dimmer	PD-6WCL	1% - 100%
	120V AC 60Hz, Low Voltage Load Type, 150W Single Pole	DVLV-600P	5% - 100%
	120V AC, 60Hz, 600W Incandescent/Halogen, Single Pole, 3-Way, Residential and Commercial Application	DV-603P	1% - 100%
	120V AC, 50/60Hz, 150W LED/CFL, 600W Incandescent/Halogen, Single Pole, 3-Way, Indoor Application	MA-PRO	1% - 100%
	120V AC 60Hz, 150W LED/CFL or 600W Incandescent/Halogen, Single Pole, 3-Way,	MACL-153M	1% - 100%

Integrating our lighting with your Smart Home System is a breeze. Simply check your Smart Home system for compatible smart switches and cross reference that with our Dimming Compatibility Chart. Once the switches are integrated with your Smart Home system your lights will be ready to go.



Manufacturer	Product	Part Number	Dimmed Light Output Range
Leviton	120V AC 60Hz, 300W Electronic Low Voltage, 400 Volt Amp, Single Pole, 3-Way,	IPE04	1% - 100%
	120V AC 60Hz, 300W CFL or 600W Incandescent, 400 Volt Amp, Single Pole, 3-Way,	6673-10W	1% - 100%
	120V AC, 600W Incandescent with LED Locator, Single Pole, 3-Way	VP106	1% - 100%
	120V AC 60Hz, 500W Incandescent with LED Level Indicator, Single Pole, 3-Way	6161	1% - 100%
	120V AC, 150W LED/CFL or 600W Incandescent, Single Pole, 3-Way	6674	1% - 100%
Eaton	120V AC, 300W LED/CFL or 600W Incandescent/MLV/Halogen, Single Pole, 3-Way	TAL06P1-C1	1% - 100%
Cooper	120V AC 60Hz, 300W LED/CFL or 600W Incandescent/Halogen, Single Pole, 3-Way	SLC03P / DAL06P	1% - 100%
	120V AC 60Hz, 300W LED/CFL or 600W Incandescent, Single Pole, 3-Way, Residential	DLC03P	1% - 100%
	120V AC 60Hz, 600W Incandescent/Halogen, Single Pole, 3-Way,	RI061-VW-K2	1% - 100%
	120V AC 60Hz, 300W LED/CFL/ Incandescent/Halogen, Single Pole, 3-Way	AAL06A-C2	1% - 100%
Lightolier	120V, 260W Incandescent/Halogen, Single Pole, 3-Way,	ZP260QEW	1% - 100%

Manufacturer	Product	Part Number	Dimmed Light Output Range
0-10V Type Dimmers - 120/277V			
Lutron	120/277V AC, 0-10V LED/CFL Ballast, Single Pole, 3-Way	NFTV	1% - 100%
	120/277V AC, 0-10V, Single Pole, 3-Way, Commercial and Residential, Indoor Application	DVSTV	1% - 100%
	120/277V AC 50/60Hz, 0-10V LED/CFL Ballast, Single Pole, 3-Way, Indoor Application	DVTV	1% - 100%
Leviton	120/277V AC 60Hz, 0-10V LED/CFL Ballast, Single Pole, 3-Way	IP710-DL	1% - 100%

***NOTE: Refer to dimmer manufacturer's documentation for installation instructions and circuit details**

Disclaimer: Minimum and maximum loads for LEDs and CFLs are given in number of lamps and may vary depending on the lamp being used. Testing conducted by Embr Lighting is not a substitute for and does not imply certification by an independent laboratory or any other standards certification. Refer to manufacturer specifications for more detailed information on product certifications and standards.

Integrating our lighting with your Smart Home System is a breeze. Simply check your Smart Home system for compatible smart switches and cross reference that with our Dimming Compatibility Chart. Once the switches are integrated with your Smart Home system your lights will be ready to go.

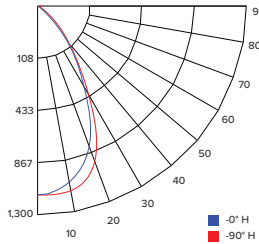


Photometric Report

Embr Downlights

PHOTOMETRIC REPORT

Product #: MRL0730
Wattage/Lumens: 10.6W/813.8 lm
Luminaire LPW: 76.7 lm/W



CANDLE POWER SUMMARY

Degree Vertical	0°
0	1186
5	1188
15	1004
25	536
35	254
45	93
55	27
65	12
75	6
85	3
90	1

ILLUMINANCE AT A DISTANCE

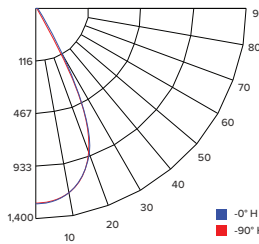
Distance to Target Plane	Center Beam Footcandles	Beam Diameter
4'	74.1	3.2'
6'	32.9	4.8'
8'	18.5	6.4'
10'	11.9	8.0'

ZONAL LUMEN SUMMARY

Zone	Lumens	%Luminaire
0-30°	580.1	71.3
0-40°	714.6	87.8
0-60°	797.0	98
0-90°	813.5	100

PHOTOMETRIC REPORT

Product #: MRL0930
Wattage / Lumens: 10W/971.7 lm
Luminaire LPW: 97.1 lm/W



CANDLE POWER SUMMARY

Degree Vertical	0°
0	1379
5	1324
15	1114
25	621
35	290
45	110
55	36
65	15
75	6
85	2
90	1

ILLUMINANCE AT A DISTANCE

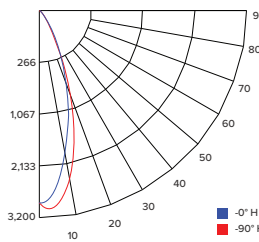
Distance to Target Plane	Center Beam Footcandles	Beam Diameter
4'	86.2	3.1'
6'	38.3	4.7'
8'	21.5	6.3'
10'	13.8	7.9'

ZONAL LUMEN SUMMARY

Zone	Lumens	%Luminaire
0-30°	673.6	69.3
0-40°	838.1	86.4
0-60°	944.1	97.3
0-90°	964.7	99.4

PHOTOMETRIC REPORT

Product #: MRL1130
Wattage/Lumens: 11.8W/1162.5 lm
Luminaire LPW: 98.5 lm/W



CANDLE POWER SUMMARY

Degree Vertical	0°
0	3043
5	2807
15	1766
25	520
35	98
45	46
55	34
65	22
75	12
85	8
90	6

ILLUMINANCE AT A DISTANCE

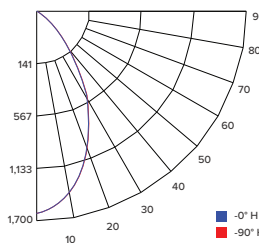
Distance to Target Plane	Center Beam Footcandles	Beam Diameter
4'	190	2.4'
6'	84.5	3.6'
8'	47.5	4.8'
10'	30.4	6.0'

ZONAL LUMEN SUMMARY

Zone	Lumens	%Luminaire
0-30°	997.9	85.9
0-40°	1,064.7	91.6
0-60°	1,125.3	96.9
0-90°	1,161.6	100

PHOTOMETRIC REPORT

Product #: MRL1330
Wattage/Lumens: 11.8W/1365.7 lm
Luminaire LPW: 115.7 lm/W



CANDLE POWER SUMMARY

Degree Vertical	0°
0	1638
5	1556
15	1273
25	857
35	392
45	148
55	36
65	10
75	2
85	1
90	0

ILLUMINANCE AT A DISTANCE

Distance to Target Plane	Center Beam Footcandles	Beam Diameter
4'	102	4.0'
6'	45.5	6.0'
8'	25.6	8.0'
10'	16.4	10.0'

ZONAL LUMEN SUMMARY

Zone	Lumens	%Luminaire
0-30°	908.1	67.2
0-40°	1,175.4	87
0-60°	1,338.1	99
0-90°	1,351.3	100