

# 3" CANLESS RECESSED FIXTURES

3" Downlights & Adjustables



## FEATURES

- Canless module works with Embr frames and power packs
- IC Airtight for direct contact with insulation
- Push-&-Twist connector on module for easy installation
- Driver specified for 120V (Triac/ELV) or 120-277V (0-10V/Triac/ELV) dimming
- 50,000 hour lifespan, L70
- Excellent color rendering 95+ CRI
- Dim to Warm option dims from 3000K to 18000K
- Title 24 JA8-2022 Compliant
- Covered by U.S. PATENTS and Patents Pending

## SPECIFICATIONS

WATTAGE:	10.5W MAX.
LUMENS:	Up to 950 lm
VOLTAGE:	120V or 120-277V
COLOR TEMP:	27K, 30K, 35K, 40K, Dim to Warm & Human Centric
DIMMING:	Triac/ELV or 0-10V/Triac/ELV
BEAM ANGLE:	Standard lens installed: 25°, 38°, 60° Optional lens: 18°
CRI:	95+

## FRAMES & POWER PACKS PRODUCT NUMBER BUILDER | 1. Specify frame or power pack part number






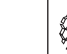
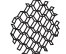




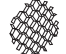


ITEM MRPP	SPECIFICATION	WATTAGE	VOLTAGE/DIMMING	OPTIONAL
MRPP	<b>3</b> 3 INCH NEW CONSTRUCTION  <b>R</b> REMODEL POWER PACK	<b>10</b> 10.5W	<b>IC</b> 120V, Triac/ELV  <b>ICDX</b> 120-277V, 0-10V/Triac/ELV	<b>(blank)</b> Standard  <b>EM1</b> EMERGENCY BATTERY BACKUP

## MODULE PRODUCT NUMBER BUILDER | 2. Specify module part number

ITEM MRCL	LUMENS	COLOR TEMP.	BEAM
MRCL	<b>21</b> Up to 950 lm	<b>27D</b> 2700K  <b>30D</b> 3000K  <b>35D</b> 3500K  <b>40D</b> 4000K  <b>D31D</b> DIM TO WARM 3000K-1800K  <b>D42D</b> HUMAN CENTRIC 4000K - 2200K	<b>S</b> 18°  <b>N</b> 25°  <b>(Blank)</b> 38° <sup>1</sup>  <b>W</b> 60°  <hr/> 138° installed. 25° & 60° included

### ACCESSORIES

\*Up to 5 accessories can be added

Lens				Snoot		Secondary Optics							
													
<b>EP731C</b>	<b>EP732C</b>	<b>EP733C</b>	<b>EP734C</b>	<b>L50W</b>	<b>L50B</b>	<b>L45</b>	<b>L46</b>	<b>L47</b>	<b>L49</b>	<b>L51</b>	<b>L57</b>	<b>L52</b>	<b>L53</b>
18° Lens	25° Lens	38° Lens	60° Lens	White	Black	Hex Louver	Linear Lens	Spread Louver	Frosted Lens	Color Shifter	White Hex Louver	Blue Lens	Pink Shifter
*EP732C, EP733C, EP734C Included with beam F option													

3. Specify trim part number (Choose one option only)

**ROUND TRIMS PRODUCT NUMBER BUILDER**

ITEM	SIZE	SHAPE	STYLE	COLOR FINISH
<input type="text" value="MRCLT"/>	<input type="text"/>	<input type="text"/>	<input type="text"/>	<input type="text"/>
<b>MRCLT</b>	<b>3</b> 3 INCH	<b>RD</b> ROUND	<b>10</b> FIXED DOWNLIGHT <b>29</b> ADJUSTABLE <sup>1</sup> <b>27</b> ADJUSTABLE PINHOLE <sup>1,2</sup> <b>35</b> CURVED TRIM <sup>3</sup>	<b>W</b> ALL WHITE <b>BB</b> ALL BLACK <b>BZ</b> ALL BRONZE <b>B</b> BLACK WITH WHITE TRIM <b>H</b> HAZE WITH WHITE TRIM
			<sup>1</sup> 358° rotation. 30° tilt <sup>2</sup> Not available in H color finish <sup>3</sup> Available in W and BB finishes only	

**SQUARE TRIMS PRODUCT NUMBER BUILDER**

ITEM	SIZE	SHAPE	STYLE	COLOR FINISH
<input type="text" value="MRCLT"/>	<input type="text"/>	<input type="text"/>	<input type="text"/>	<input type="text"/>
<b>MRCLT</b>	<b>3</b> 3 INCH	<b>SQ</b> SQUARE	<b>10</b> FIXED DOWNLIGHT <b>29</b> ADJUSTABLE <sup>1</sup> <b>27</b> ADJUSTABLE PINHOLE <sup>1</sup>	<b>W</b> ALL WHITE <b>BB</b> ALL BLACK <b>BZ</b> ALL BRONZE <b>B</b> BLACK WITH WHITE TRIM <b>H</b> HAZE WITH WHITE TRIM
			<sup>1</sup> 358° rotation. 30° tilt	

**TRIMLESS PRODUCT NUMBER BUILDER**

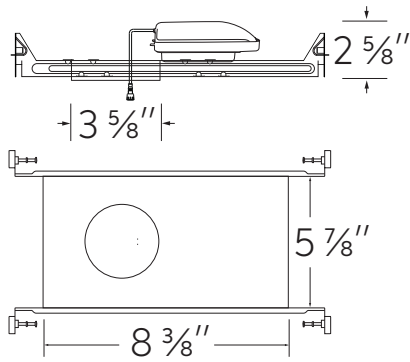
ITEM	SIZE	SHAPE	STYLE	COLOR FINISH
<input type="text" value="MRCLT"/>	<input type="text"/>	<input type="text"/>	<input type="text"/>	<input type="text"/>
<b>MRCLT</b>	<b>3</b> 3 INCH	<b>RD</b> ROUND TRIMLESS <b>SQ</b> SQUARE TRIMLESS	<b>60</b> FIXED <sup>1</sup> <b>55</b> ADJUSTABLE <sup>1,2</sup>	<b>W</b> ALL WHITE <b>BB</b> ALL BLACK <b>H</b> ALL HAZE
			<sup>1</sup> Requires spackle frame <sup>2</sup> 35° Adjustability	

**ACCESSORIES**

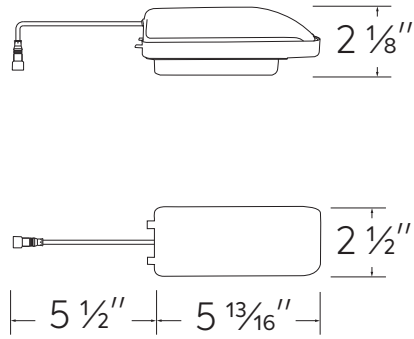
Round Spackle Frame	Square Spackle Frame
<b>EL3SFR</b> 3 INCH	<b>EL03SFS</b> 3 INCH

# DIMENSIONS

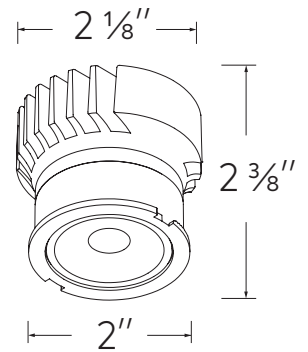
## 3" FRAME WITH POWER PACK



## REMODEL IC POWER PACK



## LED MODULE



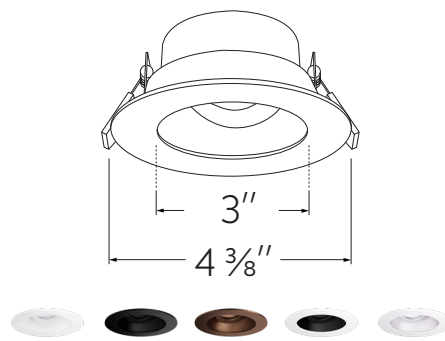
## 3" ROUND FIXED DOWNLIGHT

MRCLT3RD10



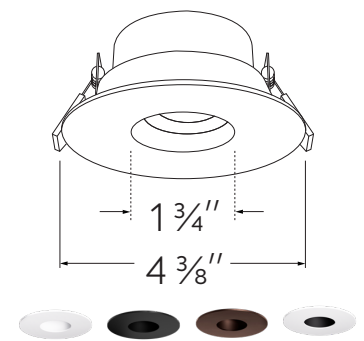
## 3" ROUND ADJUSTABLE

MRCLT3RD29



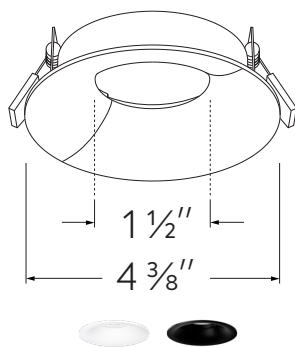
## 3" ROUND ADJUSTABLE PINHOLE

MRCLT3RD27



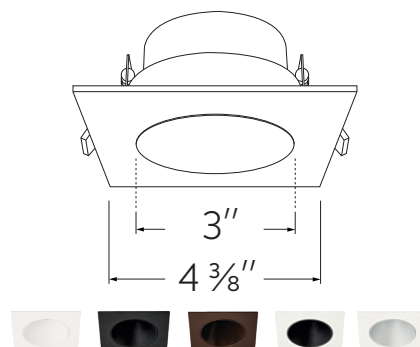
## 3" ROUND CURVED TRIM

MRCLT3RD35



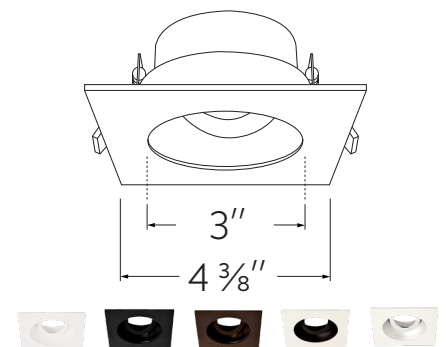
## 3" SQUARE FIXED DOWNLIGHT

MRCLT3SQ10



## 3" SQUARE ADJUSTABLE

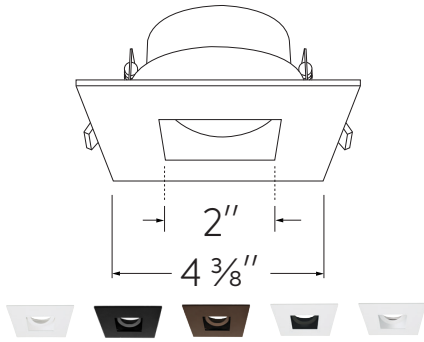
MRCLT3SQ29



# DIMENSIONS

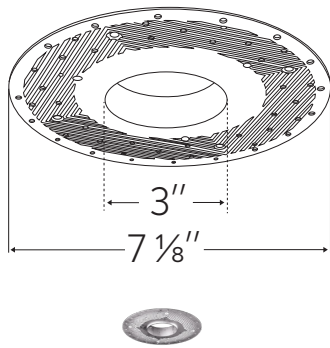
## 3" SQUARE ADJUSTABLE PINHOLE

MRCLT3SQ27



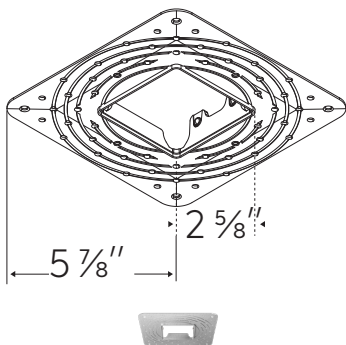
## 3" ROUND SPACKLE FRAME

EL3SFR



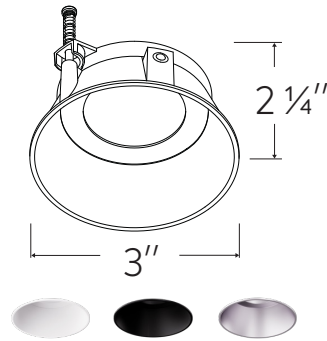
## 3" SQUARE SPACKLE FRAME

EL03SFS



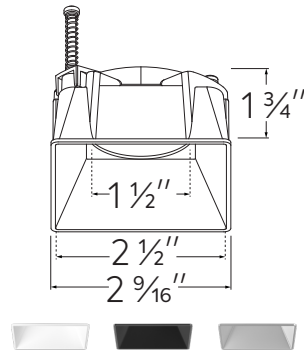
## 3" ROUND FIXED TRIMLESS

MRT3RD60



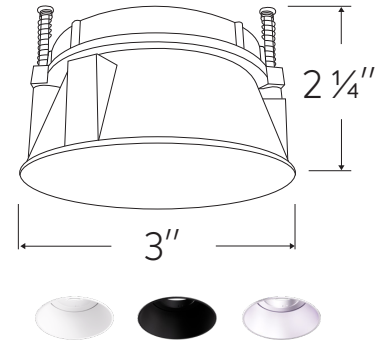
## 3" SQUARE FIXED TRIMLESS

MRCLT3SQ60



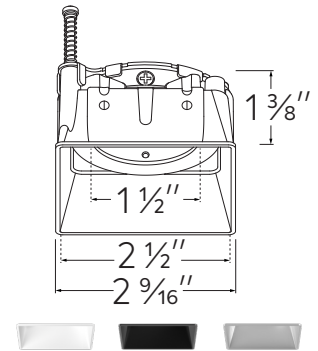
## 3" ROUND ADJUSTABLE TRIMLESS

MRCLT3RD55



## 3" SQUARE ADJUSTABLE TRIMLESS

MRCLT3SQ55

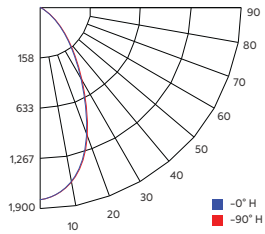


# Photometric Report

## Canless Embr Module

### PHOTOMETRIC REPORT

Product #: MRCL2127D  
Wattage/Lumens: 12.2W/1169.3lm  
Luminaire LPW: 95.7 lm/W



### CANDLE POWER SUMMARY

Degree Vertical	0°
0	1829
5	1737
15	1353
25	683
35	328
45	123
55	39
65	17
75	8
85	2
90	1

### ILLUMINANCE AT A DISTANCE

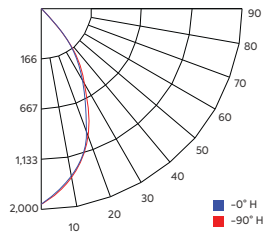
Distance to Target Plane	Center Beam Footcandles	Beam Diameter
4'	114	3.0'
6'	50.8	4.6'
8'	28.6	6.1'
10'	18.3	7.6'

### ZONAL LUMEN SUMMARY

Zone	Lumens	%Luminaire
0-30°	834.5	71.2
0-40°	1,022.9	87.3
0-60°	1,140.0	97.3
0-90°	1,164.3	99.4

### PHOTOMETRIC REPORT

Product #: MRCL2130D  
Wattage/Lumens: 12.2W/1218 lm  
Luminaire LPW: 99.6 lm/W



### CANDLE POWER SUMMARY

Degree Vertical	0°
0	1900
5	1805
15	1406
25	710
35	341
45	127
55	41
65	17
75	9
85	2
90	1

### ILLUMINANCE AT A DISTANCE

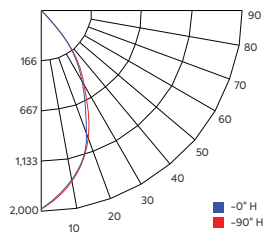
Distance to Target Plane	Center Beam Footcandles	Beam Diameter
4'	119	3.0'
6'	52.8	4.6'
8'	29.7	6.1'
10'	19.0	7.6'

### ZONAL LUMEN SUMMARY

Zone	Lumens	%Luminaire
0-30°	867.0	71.2
0-40°	1,062.8	87.3
0-60°	1,184.4	97.3
0-90°	1,209.7	99.4

### PHOTOMETRIC REPORT

Product #: MRCL2135D  
Wattage/Lumens: 12.2W/1271 lm  
Luminaire LPW: 104 lm/W



### CANDLE POWER SUMMARY

Degree Vertical	0°
0	1976
5	1877
15	1462
25	738
35	355
45	133
55	43
65	18
75	9
85	2
90	1

### ILLUMINANCE AT A DISTANCE

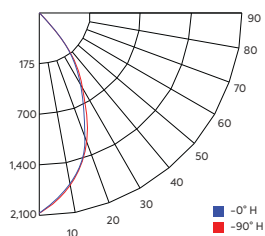
Distance to Target Plane	Center Beam Footcandles	Beam Diameter
4'	124	3.0'
6'	54.9	4.6'
8'	30.9	6.1'
10'	19.8	7.6'

### ZONAL LUMEN SUMMARY

Zone	Lumens	%Luminaire
0-30°	901.7	71.2
0-40°	1,105.3	87.3
0-60°	1,231.8	97.3
0-90°	1,258.1	99.4

### PHOTOMETRIC REPORT

Product #: MRCL2140D  
Wattage/Lumens: 12.2W/1322 lm  
Luminaire LPW: 108.2 lm/W



### CANDLE POWER SUMMARY

Degree Vertical	0°
0	2051
5	1948
15	1518
25	766
35	368
45	138
55	44
65	19
75	9
85	2
90	1

### ILLUMINANCE AT A DISTANCE

Distance to Target Plane	Center Beam Footcandles	Beam Diameter
4'	128	3.0'
6'	57.0	4.6'
8'	32.1	6.1'
10'	20.5	7.6'

### ZONAL LUMEN SUMMARY

Zone	Lumens	%Luminaire
0-30°	935.9	71.2
0-40°	1,147.2	87.3
0-60°	1,278.5	97.3
0-90°	1,305.8	99.4



# Dimmer Compatibility Chart

## 120V – Triac/ELV – Dimmers

### For Reference Only

Testing conducted by embr is not a substitute for and does not imply certification by an independent laboratory or any other standards certification. Refer to manufacturer specifications for more detailed information on product certifications and standards. Consult the dimmer manufacturer prior to installation to ensure compatibility.

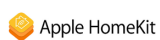
Manufacturer	Product	Part Number	Dimmed Light Output Range
Leviton	Decora SureSlide® Single Pole with Slide –to–Off	6672	15% – 100%
	Leviton Dimmer	1K35O2	5% – 100%
Lutron	Vive, 120V, 150W LED/CFL, 600W Incandescent/Halogen, FP, Single Pole/Multi-Location Dimmer, Commercial Application	MRF2S-6CL	12% – 91%
	Panel Model, Commercial/Residential Application, FP	GP (Harrier) Card	10% – 94%
	Grafik QS/Mailbox Power Module, 120/220 to 240V AC, LED/Incandescent/Halogen Load Type, Commercial/Residential Indoor Application, FP	LQRJ-WPM-6P	10% – 95%
	Grafik Eye 3000/HomeWorks, 120V, Incandescent/Fluorescent Load Type, Commercial/Residential Application, FP	HWI-WPM-6D-120	10% – 95%
	Panel Dimming Module, 120V, Commercial/Residential Application, FP	HW/LP-RPM-4U-120	10% – 95%
	Panel Adaptive Dimming Module, 120V, Commercial/Residential Application, FP	HW/LP-RPM-4A-120	9% – 95%
	HomeWorks® QS for CFL/LED loads, 120V, RP, Commercial/Residential Application	LQSE-4A1-D/ MQSE-4A1-D/MQSE-3A1/MQSE-2A1-D	8% – 95%
	Energi Savr Node LED+ Phase Adaptive, Commercial Application, Reverse Phase, (Zone 1) (Zones 2-4)	QSN-4A5-S	8% – 95%
	RadioRA®2, 120V, 50/60-Hz, 150W LED or 600W Incandescent/Halogen, 3-Way & 4-Way, Residential Application	RRD-6CL	10% – 95%
	RadioRA®3, 120V, 250W LED/CFL or 500W Incandescent/Halogen, Single Pole, Multi-Location	RRST-PRO-N	10% – 95%
	HomeWorks® QS, 120V, 60-Hz, 150W LED/CFL or 600W Incandescent/Halogen/MLV, Residential Application	HQRD-6CL(H2) HQRA-6CL(H2)	10% – 95%
	Homeworks QS, Residential Application, Reverse Phase	LQSE-4A-120-D	8% – 89%
	HomeWorks® for LED/Incandescent/Halogen loads, Reverse Phase, (Zone 1) (Zones 2-4)	LQSE-4A5-120-D	8% – 89%
	Ariadni® C.L Single Pole/3-Way, 150W LED/CFL or 600W Incandescent/Halogen	AYCL-153P	10% – 100%
	Skylark Contour® C.L, Single Pole/3-Way, 150W LED/CFL or 600W Incandescent/Halogen	CTCL-153P	10% – 100%
	Skylark® C.L Single Pole/3-Way, 150W LED/CFL or 600W Incandescent/Halogen	SCL-153P	10% – 100%
Diva® Series 150W Single Pole/3-Way Dimmer	DVCL-153P	10% – 100%	
Skylark Contour® Single Pole/3-Way 1000W Incandescent/Halogen	CT-103P	10% – 100%	

Integrating our lighting with your Smart Home System is a breeze. Simply check your Smart Home system for compatible smart switches and cross reference that with our Dimming Compatibility Chart. Once the switches are integrated with your Smart Home system your lights will be ready to go.



Manufacturer	Product	Part Number	Dimmed Light Output Range
Lutron	Skylark® Single Pole 300W ELV Preset Dimmer	SELV-300P	5% - 100%
	Skylark® Single Pole 600W Incandescent/Halogen, Slide-to-Off Dimmer	S-600P	5% - 100%
	Diva® 300W Single Pole/3-Way ELV Dimmer	DVELV-303P	10% - 100%
	Diva® 600W Single Pole Incandescent/Halogen Preset Dimmer	DV-600P	5% - 100%
	Ariadni® 600W Single Pole Magnetic Low Voltage Dimmer	AYLV-600P	5% - 100%
	Ariadni® 600W Single Pole/3-Way Incandescent/Halogen Dimmer	AY-603P	5% - 100%
	Maestro® 600W Single Pole/3-Way ELV Dimmer	MAELV-600	5% - 100%
	Maestro® C.L Single Pole/3-Way Dimmer. 150W Max for LED/CFL or 600W Max for Incandescent/Halogen	MACL-153M	10% - 100%
	Caséta® Wireless Dimmer	PD-6WCL	10% - 100%

Integrating our lighting with your Smart Home System is a breeze. Simply check your Smart Home system for compatible smart switches and cross reference that with our Dimming Compatibility Chart. Once the switches are integrated with your Smart Home system your lights will be ready to go.







# Dimmer Compatibility Chart

## 120-277V – 0-10V/Triac/ELV – Dimmers

### For Reference Only

Testing conducted by embr is not a substitute for and does not imply certification by an independent laboratory or any other standards certification. Refer to manufacturer specifications for more detailed information on product certifications and standards. Consult the dimmer manufacturer prior to installation to ensure compatibility.

Manufacturer	Product	Part Number	Dimmed Light Output Range
<b>Triac/ELV Type Dimmers – 120V Only</b>			
Lutron	120V AC, 150W LED/CFL or 600W Incandescent/Halogen, Single Pole, 3-Way	RRD-6CL	1% – 100%
	120V AC 60Hz, 150W LED/CFL/Incandescent/Halogen, Single Pole, 3-Way,	DVCL-153P	1% – 100%
	120V 60Hz, 150W LED/CFL or 600W Incandescent/Halogen, Single Pole, 3-Way	TGCL-153P	1% – 100%
	120V AC 60Hz, 300W Electronic Low Voltage, 3-Way, Commercial/Residential Application	DVELV-303P	1% – 100%
	120V, 600W Incandescent/Halogen, Single Pole, Residential Indoor Application	TG-600P	1% – 100%
	120V, 1000W Incandescent or 600W Magnetic Low Voltage, Single Pole, 3-Way	CT103P	1% – 100%
	120V AC 60Hz, 600W Electronic Low Voltage, Single Pole/Multi-Location,	MAELV600	1% – 100%
	120V AC 60Hz, 500W Electronic Low Voltage, Single Pole/Multi-Location,	FAELV500	1% – 100%
	120V AC 60Hz, 600W Incandescent/Halogen, Single Pole, Slide-to-Off Dimmer	S-600P	1% – 100%
	120V AC 60Hz, 150W LED/CFL or 600W Incandescent/Halogen, Single Pole, 3-Way	SCL-153P	1% – 100%
	Caséta® Wireless Dimmer	PD-6WCL	1% – 100%
	120V AC 60Hz, Low Voltage Load Type, 150W Single Pole	DVLV-600P	5% – 100%
	120V AC, 60Hz, 600W Incandescent/Halogen, Single Pole, 3-Way, Residential and Commercial Application	DV-603P	1% – 100%
	120V AC, 50/60Hz, 150W LED/CFL, 600W Incandescent/Halogen, Single Pole, 3-Way, Indoor Application	MA-PRO	1% – 100%
120V AC 60Hz, 150W LED/CFL or 600W Incandescent/Halogen, Single Pole, 3-Way,	MACL-153M	1% – 100%	
Leviton	120V AC 60Hz, 300W Electronic Low Voltage, 400 Volt Amp, Single Pole, 3-Way,	IPE04	1% – 100%
	120V AC 60Hz, 300W CFL or 600W Incandescent, 400 Volt Amp, Single Pole, 3-Way,	6673-10W	1% – 100%
	120V AC, 600W Incandescent with LED Locator, Single Pole, 3-Way	VP106	1% – 100%
	120V AC 60Hz, 500W Incandescent with LED Level Indicator, Single Pole, 3-Way	6161	1% – 100%
	120V AC, 150W LED/CFL or 600W Incandescent, Single Pole, 3-Way	6674	1% – 100%
Eaton	120V AC, 300W LED/CFL or 600W Incandescent/MLV/Halogen, Single Pole, 3-Way	TAL06P1-C1	1% – 100%
Cooper	120V AC 60Hz, 300W LED/CFL or 600W Incandescent/Halogen, Single Pole, 3-Way	SLC03P / DAL06P	1% – 100%
	120V AC 60Hz, 300W LED/CFL or 600W Incandescent, Single Pole, 3-Way, Residential	DLC03P	1% – 100%
	120V AC 60Hz, 600W Incandescent/Halogen, Single Pole, 3-Way,	RI061-VW-K2	1% – 100%
	120V AC 60Hz, 300W LED/CFL/ Incandescent/Halogen, Single Pole, 3-Way	AAL06A-C2	1% – 100%
Lightolier	120V, 260W Incandescent/Halogen, Single Pole, 3-Way,	ZP260QEW	1% – 100%

Integrating our lighting with your Smart Home System is a breeze. Simply check your Smart Home system for compatible smart switches and cross reference that with our Dimming Compatibility Chart. Once the switches are integrated with your Smart Home system your lights will be ready to go.



Manufacturer	Product	Part Number	Dimmed Light Output Range
<b>0-10V Type Dimmers - 120/277V</b>			
Lutron	120/277V AC, 0-10V LED/CFL Ballast, Single Pole, 3-Way	NFTV	1% - 100%
	120/277V AC, 0-10V, Single Pole, 3-Way, Commercial and Residential, Indoor Application	DVSTV	1% - 100%
	120/277V AC 50/60Hz, 0-10V LED/CFL Ballast, Single Pole, 3-Way, Indoor Application	DVTV	1% - 100%
Leviton	120/277V AC 60Hz, 0-10V LED/CFL Ballast, Single Pole, 3-Way	IP710-DL	1% - 100%

**\*NOTE: Refer to dimmer manufacturer's documentation for installation instructions and circuit details**

Disclaimer: Minimum and maximum loads for LEDs and CFLs are given in number of lamps and may vary depending on the lamp being used. Testing conducted by Embr Lighting is not a substitute for and does not imply certification by an independent laboratory or any other standards certification. Refer to manufacturer specifications for more detailed information on product certifications and standards.

Integrating our lighting with your Smart Home System is a breeze. Simply check your Smart Home system for compatible smart switches and cross reference that with our Dimming Compatibility Chart. Once the switches are integrated with your Smart Home system your lights will be ready to go.

